

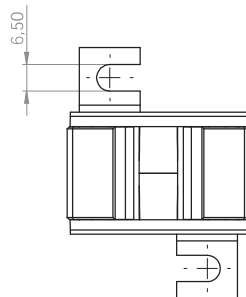
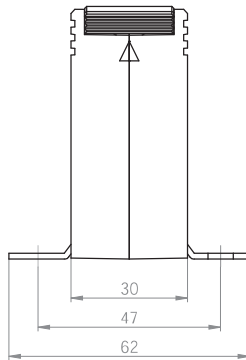
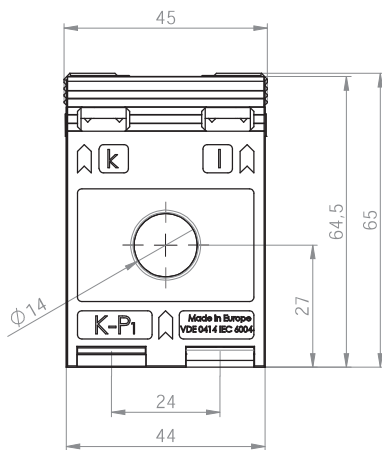
ASR 14.3

Tube current transformer

Current transformer designed for integrated installation into fuse switch disconnectors, type SlimLine of size XR00.



Round conductor 14 mm
 Transformer width 45 mm
 Height 65 mm
 Depth 30 mm



| Primary current [A] | Burden [VA] | Secondary current [A] / Class | | | |
|---------------------|-------------|-------------------------------|--------------------|--------------------|--------------------|
| | | 5 A Cl. 3 Art.-no. | 5 A Cl. 1 Art.-no. | 1 A Cl. 3 Art.-no. | 1 A Cl. 1 Art.-no. |
| 30 | 1 | 26088 | | 26290 | |
| 40 | 1 | | 26081 | | 26281 |
| 50 | 1 | | 26085 | | 26285 |
| | 1,5 | | 26082 | | 26282 |
| 60 | 1,5 | | 26083 | | 26283 |
| 75 | 1,5 | | 26084 | | 26284 |
| 100 | 2,5 | | 26094 | | 26294 |
| 125 | 2,5 | | 26087 | | 26287 |
| 150 | 2,5 | | 26095 | | 26295 |

| | | Art.-no. |
|--|---------------------------------|--------------|
| | Snap-on mounting, type E | 55013 |
| | Sealed shutter | - |

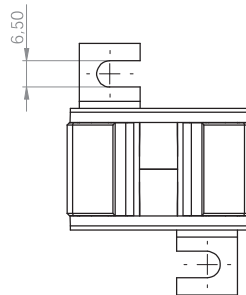
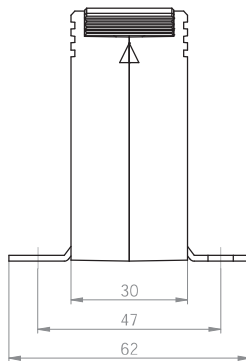
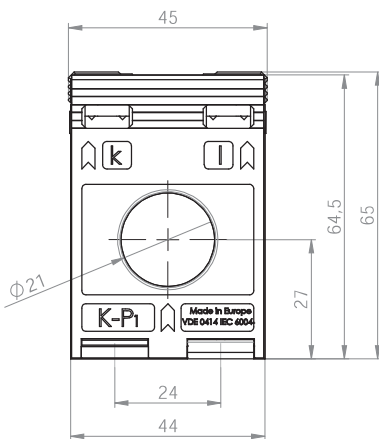
ASR 20.3

Tube current transformer

Current transformer designed for integrated installation into fuse switch disconnectors, type SlimLine of size XR00/1.



Round conductor 21 mm
 Transformer width 45 mm
 Height 65 mm
 Depth 30 mm



| Primary current [A] | Burden [VA] | Secondary current [A] / Class | | | |
|---------------------|-------------|-------------------------------|----------------------|--------------------|----------------------|
| | | 5 A Cl. 1 Art.-no. | 5 A Cl. 0,5 Art.-no. | 1 A Cl. 1 Art.-no. | 1 A Cl. 0,5 Art.-no. |
| 50 | 1 | 26027 | | 26227 | |
| 60 | 1 | 26028 | | 26228 | |
| | 1,25 | 26029 | | 26229 | |
| 75 | 1,25 | 26030 | | 26230 | |
| | 1,5 | 26031 | | 26231 | |
| 80 | 1,25 | 26032 | | 26232 | |
| | 1,5 | 26033 | | 26233 | |
| 100 | 1,5 | 26034 | 26011 | 26234 | 26211 |
| | 2,5 | 26035 | | 26235 | |
| 125 | 1,5 | 26036 | 26013 | 26236 | 26213 |
| | 2,5 | 26037 | | 26237 | |
| 150 | 1,5 | 26039 | 26015 | 26239 | 26215 |
| | 2,5 | 26040 | 26016 | 26240 | 26216 |
| | 3,75 | 26041 | | 26241 | |
| 200 | 1,5 | 26042 | 26017 | 26242 | 26217 |
| | 2,5 | 26043 | 26018 | 26243 | 26218 |
| | 3,75 | 26051 | | | |
| 250 | 2,5 | 26045 | 26020 | 26245 | 26220 |
| | 5 | 26046 | | 26246 | 26221 |
| 300 | 2,5 | 26048 | 26022 | 26248 | 26222 |
| | 5 | 26049 | 26023 | 26249 | |

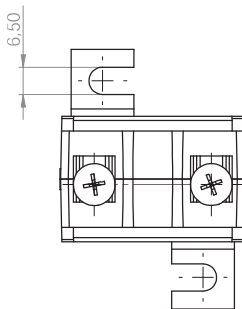
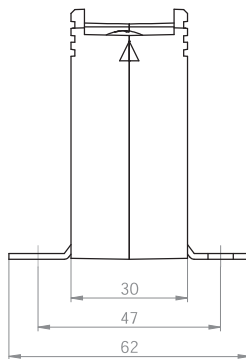
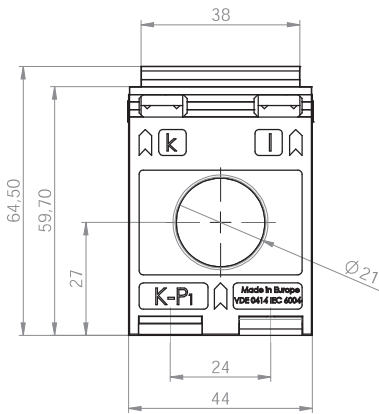
| | | Art.-no. |
|--|---------------------------------|--------------|
| | Snap-on mounting, type E | 55013 |
| | Sealed shutter | - |

ASR 201.3

Tube current transformer



Round conductor 21 mm
 Transformer width 44 mm
 Height 64,5 mm
 Depth 30 mm



| Primary current [A] | Burden [VA] | Secondary current [A] / Class | | | |
|---------------------|-------------|-------------------------------|----------------------|--------------------|----------------------|
| | | 5 A Cl. 1 Art.-no. | 5 A Cl. 0,5 Art.-no. | 1 A Cl. 1 Art.-no. | 1 A Cl. 0,5 Art.-no. |
| 60 | 1 | 27028 | | | |
| 75 | 1,25 | 27030 | | 27230 | |
| | 1,5 | 27031 | | 27231 | |
| 80 | 1,25 | 27032 | | 27232 | |
| | 1,5 | 27033 | | 27233 | |
| 100 | 1,5 | 27034 | 27011 | 27234 | 27211 |
| | 2,5 | 27035 | | 27235 | |
| 125 | 1,5 | 27036 | 27013 | 27236 | 27213 |
| | 2,5 | 27037 | 27014 | 27237 | |
| 150 | 1,5 | 27039 | 27015 | 27239 | 27215 |
| | 2,5 | 27040 | 27016 | 27240 | |
| | 3,75 | 27041 | | 27241 | |
| 200 | 1,5 | 27042 | 27017 | 27242 | 27217 |
| | 2,5 | 27043 | 27018 | 27243 | 27218 |
| | 3,75 | 27052 | | 27252 | |
| | 5 | 27044 | | | |
| 250 | 2,5 | 27045 | 27020 | 27245 | 27220 |
| | 5 | 27046 | | 27246 | |
| 300 | 2,5 | 27048 | 27022 | 27248 | 27222 |
| | 5 | 27049 | | 27249 | |

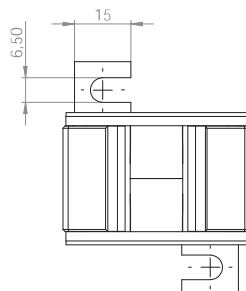
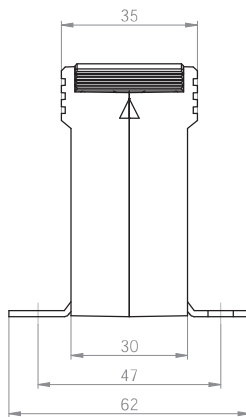
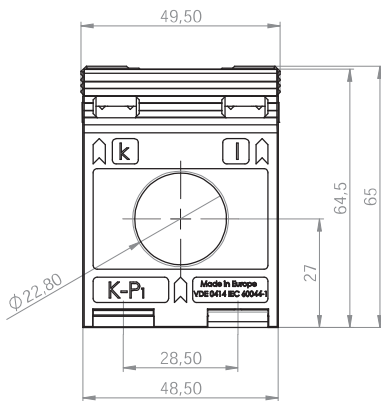
| | | Art.-no. |
|--|--------------------------|----------|
| | Snap-on mounting, type E | 55013 |
| | Sealed shutter | - |

ASR 21.3

Tube current transformer



Round conductor 22,8 mm
 Transformer width 49,5 mm
 Height 65 mm
 Depth 35 mm



| Primary current [A] | Burden [VA] | Secondary current [A] / Class | |
|---------------------|-------------|-------------------------------|--------------------------|
| | | 5 A Cl. 1 Art.-no. | 1 A Cl. 1 Art.-no. |
| 100 | 1 | 1023 | 1223 |
| 150 | 1,5 | 1024 | 1224 |
| 200 | 1,5 | 1026 | 1226 |
| | 2,5 | 1027 | 1227 |
| 250 | 1,5 | 1028 | 1228 |
| | 2,5 | 1029 | 1229 |
| | 3,75 | 1048 | 1248 |
| | 5 | 1030 | |
| 300 | 1,5 | 1031 | 1231 |
| | 2,5 | 1032 | 1232 |
| | 3,75 | 1049 | 1249 |
| | 5 | 1033 | |
| 400 | 2,5 | 1034 | 1234 |
| | 5 | 1035 | 1235 |
| 500 | 2,5 | 1037 | 1237 |
| | 5 | 1038 | 1238 |

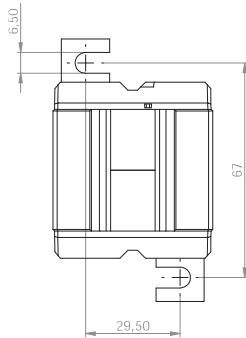
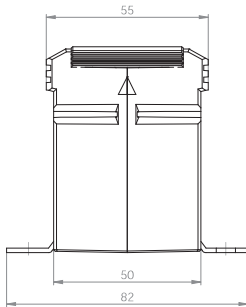
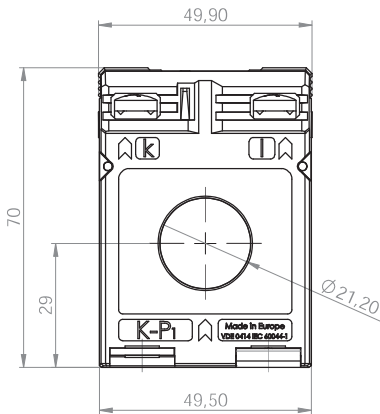
| | | Art.-no. |
|--|---------------------------------|--------------|
| | Snap-on mounting, type F | 55014 |
| | Sealed shutter | - |

ASR 21.5

Tube current transformer



Round conductor 21,2 mm
 Transformer width 49,9 mm
 Height 70 mm
 Depth 55 mm



| Primary current [A] | Burden [VA] | Secondary current [A] / Class | | | |
|---------------------|-------------|-------------------------------|----------------------|--------------------|----------------------|
| | | 5 A Cl. 1 Art.-no. | 5 A Cl. 0,5 Art.-no. | 1 A Cl. 1 Art.-no. | 1 A Cl. 0,5 Art.-no. |
| 50 | 1,5 | 93050 | 93011 | 93250 | |
| 60 | 1,5 | 93052 | 93012 | 93252 | 93212 |
| | 2,5 | 93053 | | 93253 | |
| | 3,75 | | | 93254 | |
| 75 | 1,5 | 93055 | 93013 | 93255 | 93213 |
| | 2,5 | 93056 | | 93256 | |
| | 3,75 | 93057 | | 93257 | |
| 80 | 1,5 | 93058 | 93014 | 93258 | 93214 |
| | 2,5 | 93059 | | 93259 | |
| 100 | 1,5 | 93061 | 93015 | 93261 | 93215 |
| | 2,5 | 93062 | 93016 | 93262 | 93216 |
| | 5 | 93063 | | 93263 | |
| 125 | 1,5 | 93064 | 93017 | 93264 | 93217 |
| | 2,5 | 93065 | 93018 | 93265 | 93218 |
| | 5 | 93066 | | 93266 | |
| 150 | 2,5 | 93067 | 93019 | 93267 | 93219 |
| | 5 | 93068 | 93020 | 93268 | 93220 |
| | 7,5 | 93095 | | 93294 | |
| 200 | 2,5 | 93070 | 93021 | 93270 | 93221 |
| | 5 | 93071 | 93022 | 93271 | 93222 |
| | 10 | 93072 | 93023 | 93272 | 93223 |
| 250 | 2,5 | 93074 | 93024 | 93274 | 93224 |
| | 5 | 93075 | 93025 | 93275 | 93225 |
| | 10 | 93076 | | 93276 | |
| 300 | 2,5 | 93078 | 93027 | 93278 | 93227 |
| | 5 | 93079 | 93028 | 93279 | 93228 |
| | 10 | 93080 | 93029 | 93280 | 93229 |
| 400 | 2,5 | 93082 | 93031 | 93282 | 93231 |
| | 5 | 93083 | 93032 | 93283 | 93232 |
| | 10 | 93084 | 93033 | 93284 | 93233 |
| 500 | 2,5 | 93086 | 93035 | 93286 | 93235 |
| | 5 | 93087 | 93036 | 93287 | 93236 |
| | 10 | 93088 | 93037 | 93288 | 93237 |
| 600 | 2,5 | 93090 | 93039 | 93290 | 93239 |
| | 5 | 93091 | 93040 | 93291 | 93240 |

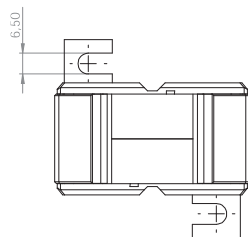
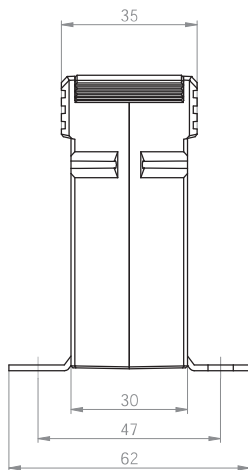
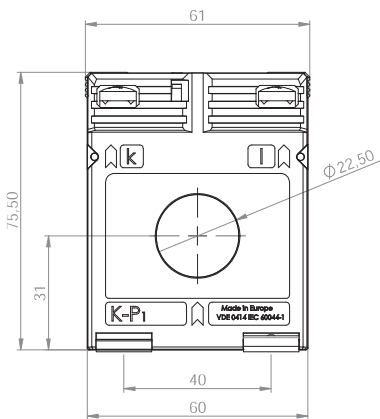
| | | Art.-no. |
|--|-------------------------|----------|
| | Snap-on mounting | - |
| | Sealed shutter | - |

ASR 22.3

Tube current transformer



Round conductor 22,5 mm
 Transformer width 61 mm
 Height 75,5 mm
 Depth 35 mm



| Primary current [A] | Burden [VA] | Secondary current [A] / Class | | | | |
|---------------------|-------------|-------------------------------|----------------------|-----------------------|--------------------|----------------------|
| | | 5 A Cl. 1 Art.-no. | 5 A Cl. 0,5 Art.-no. | 5 A Cl. 0,2s Art.-no. | 1 A Cl. 1 Art.-no. | 1 A Cl. 0,5 Art.-no. |
| 50 | 1 | 3035 | | | 3235 | |
| | 1,5 | | | | 3236 | |
| 60 | 1 | 3037 | | | 3237 | |
| | 1,5 | 3038 | | | 3238 | |
| 75 | 1,5 | 3039 | | | 3239 | |
| | 2,5 | 3040 | | | 3240 | |
| 80 | 1,5 | 3041 | | | 3241 | |
| | 2,5 | 3042 | | | 3242 | |
| 100 | 1,5 | 3043 | 3011 | | 3243 | 3211 |
| | 2,5 | 3044 | 3134 | | 3244 | 3334 |
| | 3,75 | 3045 | | | 3245 | |
| 150 | 1,5 | 3046 | 3012 | V04-1604C | 3246 | 3212 |
| | 2,5 | 3047 | 3013 | V04-1604D | 3247 | 3213 |
| | 5 | 3048 | | | 3248 | |
| 200 | 1,5 | | 3014 | | | 3214 |
| | 2,5 | 3049 | 3015 | V04-1704D | 3249 | 3215 |
| | 5 | 3050 | 3016 | V04-1704F | 3250 | 3216 |
| | 10 | 3051 | | | | |
| 250 | 2,5 | 3052 | 3018 | V04-1804D | 3252 | 3218 |
| | 5 | 3053 | 3019 | V04-1804F | 3253 | 3219 |
| | 10 | 3054 | | | 3254 | |
| 300 | 2,5 | 3056 | 3022 | V04-1904D | 3256 | 3222 |
| | 5 | 3057 | 3023 | V04-1904F | 3257 | 3223 |
| | 10 | 3058 | 3024 | | 3258 | 3224 |
| | 15 | | | | 3259 | |
| 400 | 2,5 | 3060 | 3025 | V04-2004D | 3260 | 3225 |
| | 5 | 3061 | 3026 | V04-2004F | 3261 | 3226 |
| | 10 | 3062 | 3027 | | 3262 | 3227 |
| | 15 | 3063 | | | 3263 | |
| 500 | 2,5 | 3064 | 3028 | V04-2104D | 3264 | 3228 |
| | 5 | 3065 | 3029 | V04-2104F | 3265 | 3229 |
| | 10 | 3066 | 3030 | V04-2104H | 3266 | 3230 |
| 600 | 2,5 | 3068 | 3031 | V04-2204D | 3268 | 3231 |
| | 5 | 3069 | 3032 | V04-2204F | 3269 | 3232 |
| | 10 | 3070 | 3033 | V04-2204H | 3270 | 3233 |

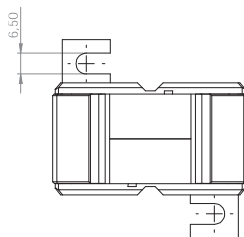
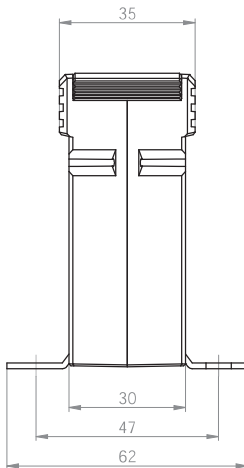
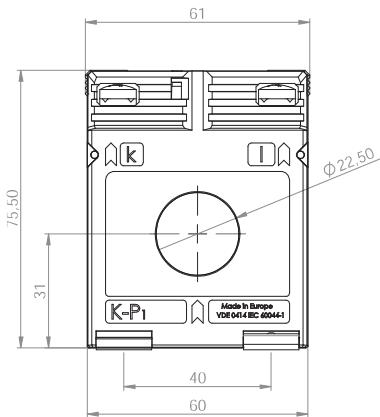
| | | Art.-no. |
|--|---------------------------------|--------------|
| | Snap-on mounting, type A | 53011 |
| | Sealed shutter, type A | 59040 |

ASR 22.3 2U

Tube current transformer, secondary reconnectable



Round conductor 22,5 mm
 Transformer width 61 mm
 Height 75,5 mm
 Depth 35 mm



| Primary current [A] | Burden [VA] | Secondary current [A] / Class | |
|---------------------|-------------|-------------------------------|--------------------------|
| | | 5 A Cl. 1 Art.-no. | 1 A Cl. 1 Art.-no. |
| 200-100 | 5-2,5 | 3111 | 3311 |
| | 10-5 | 3112 | 3312 |
| 300-150 | 5-2,5 | 3113 | 3313 |
| | 10-5 | 3114 | 3314 |
| 400-200 | 5-2,5 | 3115 | 3315 |
| | 10-5 | 3116 | 3316 |
| 500-250 | 5-2,5 | 3117 | 3317 |
| | 10-5 | 3118 | 3318 |
| 600-300 | 5-2,5 | 3119 | 3319 |
| | 10-5 | | |

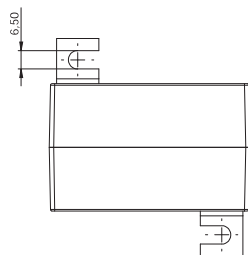
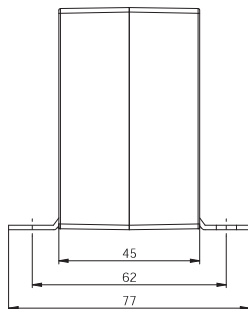
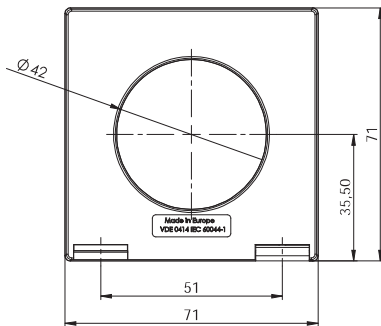
| | | Art.-no. |
|--|---------------------------------|--------------|
| | Snap-on mounting, type A | 53011 |
| | Sealed shutter, type A | 59040 |

ASR 42.45

Tube current transformer



Round conductor 42 mm
 Transformer width 71 mm
 Height 71 mm
 Depth 45 mm



| Primary current [A] | Burden [VA] | Secondary current [A] / Class | |
|---------------------|-------------|-------------------------------|--------------------------|
| | | 5 A Cl. 1 Art.-no. | 1 A Cl. 1 Art.-no. |
| 150 | 1,5 | 26500 | 26600 |
| | 2,5 | 26501 | 26601 |
| 200 | 1,5 | 26502 | 26602 |
| | 2,5 | 26503 | 26603 |
| | 5 | 26504 | 26604 |
| 250 | 1,5 | 26505 | 26605 |
| | 2,5 | 26506 | 26606 |
| | 5 | 26507 | 26607 |
| | 7,5 | 26508 | |
| 300 | 2,5 | 26509 | 26609 |
| | 5 | 26510 | 26610 |
| | 7,5 | 26536 | 26644 |
| 400 | 2,5 | 26512 | 26612 |
| | 5 | 26513 | 26613 |
| | 10 | 26514 | 26614 |
| 500 | 2,5 | 26515 | 26615 |
| | 5 | 26516 | 26616 |
| | 10 | 26517 | 26617 |
| 600 | 2,5 | 26519 | 26619 |
| | 5 | 26520 | 26620 |
| | 10 | 26521 | 26621 |
| | 15 | 26522 | 26622 |
| 750 | 2,5 | 26523 | 26623 |
| | 5 | 26524 | 26624 |
| | 10 | 26525 | 26625 |
| | 15 | 26526 | 26626 |
| 800 | 5 | 26527 | 26627 |
| | 10 | 26528 | 26628 |

| | | Art.-no. |
|--|-------------------------|----------|
| | Snap-on mounting | - |
| | Sealed shutter | - |

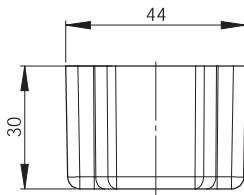
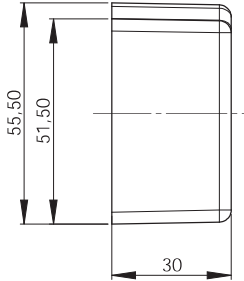
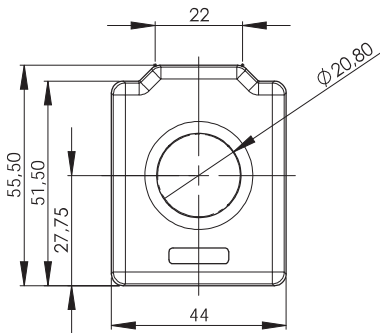
- Connection cable 2,5 mm², 400 mm long (standard)
- The ends of the cables are equipped with ferrules.

ASG 210.3

Tube current transformer, resin hardened



Round conductor 20,8 mm
 Transformer width 44 mm
 Height 55,5 mm
 Depth 30 mm



| Primary current [A] | Burden [VA] | Secondary current [A] / Class | |
|---------------------|-------------|-------------------------------|--------------------------|
| | | 5 A Cl. 1 Art.-no. | 1 A Cl. 1 Art.-no. |
| 60 | 1 | 27501 | 27601 |
| | 1,25 | | 27602 |
| 75 | 1,25 | 27503 | 27603 |
| | 1,5 | 27504 | 27604 |
| 80 | 1,25 | 27505 | 27605 |
| | 1,5 | 27506 | 27606 |
| 100 | 1,5 | 27507 | 27607 |
| | 2,5 | 27508 | 27608 |
| 125 | 1,5 | 27509 | 27609 |
| | 2,5 | 27510 | 27610 |
| 150 | 1,5 | 27512 | 27612 |
| | 2,5 | 27513 | 27613 |
| | 3,75 | 27514 | 27614 |
| 200 | 1,5 | 27515 | 27615 |
| | 2,5 | 27516 | 27616 |
| | 3,75 | 27527 | 27627 |
| | 5 | | 27617 |
| 250 | 2,5 | 27518 | 27618 |
| | 3,75 | 27528 | 27628 |
| | 5 | 27519 | 27619 |
| 300 | 2,5 | 27521 | 27621 |
| | 5 | 27522 | 27622 |
| | 7,5 | | 27623 |

| | | Art.-no. |
|--|-------------------------|----------|
| | Snap-on mounting | - |
| | Sealed shutter | - |

- Connection cable 2,5 mm², 400 mm long (standard)
- The ends of the cables are equipped with ferrules.



Low-voltage current transformers for industrial applications

Plug-in current transformer for fuse switch disconnectors

ASKL 19.34

InLine II, size 00

Round conductor: 16,4 mm Current range: 80 ... 160 A
Transformer width: 45 mm

Page: 23

ASKL 31.34

InLine II, size 123

Round conductor: 18,6 mm Current range: 250 ... 600 A
Transformer width: 60 mm

Page: 24

AS 176.3

SlimLine, size XR1

Round conductor: 15,2 mm Current range: 75 ... 250 A
Transformer width: 45 mm

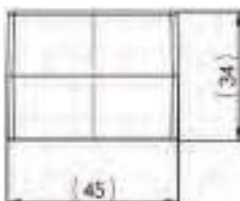
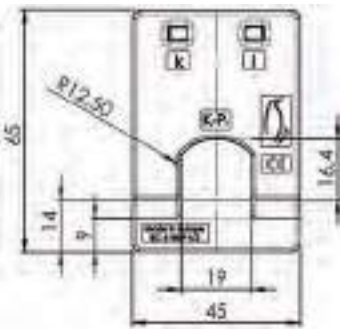
Page: 25

ASKL 19.34

Plug-in current transformer



Bus bar 1 19 x 12 mm
 Round conductor 16,4 mm
 Transformer width 45 mm
 Height 65 mm
 Depth 34 mm



Current transformer designed for integrated installation into fuse switch disconnectors, type InLine II of size 00.

| Primary current [A] | Burden [VA] | Secondary current [A] / Class | | | | | |
|---------------------|-------------|-------------------------------|----------------------|-----------------------|--------------------|----------------------|-----------------------|
| | | 5 A Cl. 1 Art.-no. | 5 A Cl. 0,5 Art.-no. | 5 A Cl. 0,5s Art.-no. | 1 A Cl. 1 Art.-no. | 1 A Cl. 0,5 Art.-no. | 1 A Cl. 0,5s Art.-no. |
| 80 | 1 | 34-0001 | 34-0019 | | | 34-2022 | |
| | 1,5 | | | | 34-2002 | | |
| 100 | 1 | | 34-0020 | 34-0031 | | | |
| | 1,5 | 34-0003 | | | | 34-2024 | 34-2037 |
| | 2 | | | | 34-2005 | | |
| 120 | 1,5 | | 34-0022 | 34-0033 | 34-2007 | 34-2026 | 34-2039 |
| | 2 | 34-0006 | | | | | |
| | 2,5 | | | | 34-2009 | | |
| 125 | 1,5 | | 34-0024 | 34-0035 | | 34-2028 | 34-2041 |
| | 2 | 34-0009 | | | | | |
| | 2,5 | 34-0010 | | | 34-2013 | | |
| 150 | 1,5 | | 34-0026 | 34-0037 | | 34-2030 | 34-2043 |
| | 2 | 34-0013 | 34-0027 | | | 34-2031 | |
| | 2,5 | 34-0014 | | | 34-2017 | | |
| 160 | 1,5 | | 34-0029 | 34-0039 | | | 34-2045 |
| | 2 | 34-0017 | 34-0030 | | | | |
| | 2,5 | 34-0018 | | | 34-2021 | 34-2035 | |

| | | Art.-no. |
|--|-------------------------|----------|
| | Snap-on mounting | - |
| | Sealed shutter | - |

ASKL 31.34

Plug-in current transformer

Current transformer designed for integrated installation into fuse switch disconnectors, type InLine II of size 123.

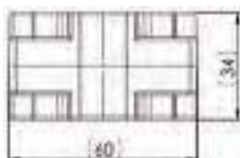


Bus bar 1 31 x 12 mm
 Round conductor 18,6 mm
 Transformer width 60 mm
 Height 63 mm
 Depth 34 mm

| Primary current [A] | Burden [VA] | Secondary current [A] / Class | | | | | |
|---------------------|-------------|-------------------------------|----------------------------|-----------------------------|--------------------------|----------------------------|-----------------------------|
| | | 5 A Cl. 1 Art.-no. | 5 A Cl. 0,5 Art.-no. | 5 A Cl. 0,5s Art.-no. | 1 A Cl. 1 Art.-no. | 1 A Cl. 0,5 Art.-no. | 1 A Cl. 0,5s Art.-no. |
| 250 | 2,5 | | | 34-0140 | | | 34-2140 |
| | 3,75 | 34-0103 | 34-0123 | | | 34-2123 | |
| | 5 | | | | 34-2104 | | |
| 300 | 3,75 | | 34-0126 | 34-0143 | | 34-2126 | 34-2143 |
| | 5 | 34-0108 | | | 34-2108 | | |
| 400 | 5 | 34-0112 | 34-0130 | 34-0147 | 34-2112 | 34-2130 | 34-2147 |
| 500 | 5 | 34-0116 | 34-0134 | 34-0151 | 34-2116 | 34-2134 | 34-2151 |
| 600 | 5 | 34-0120 | 34-0138 | 34-0155 | 34-2120 | 34-2138 | 34-2155 |



| | | Art.-no. |
|--|-------------------------|----------|
| | Snap-on mounting | - |
| | Sealed shutter | - |



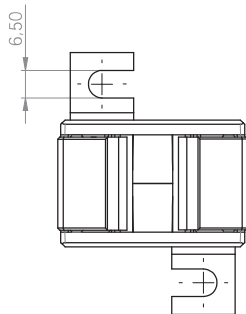
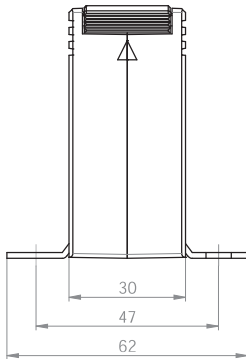
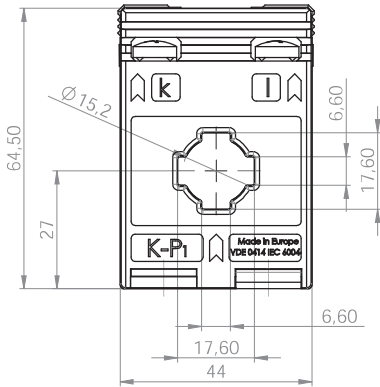
AS 176.3

Plug-in current transformer



Current transformer designed for integrated installation into fuse switch disconnectors, type SlimLine of size XR1.

- Bus bar 1 17 x 6 mm
- Round conductor 15,2 mm
- Transformer width 45 mm
- Height 65 mm
- Depth 30 mm



| Primary current [A] | Burden [VA] | Secondary current [A] / Class | | | |
|---------------------|-------------|-------------------------------|----------------------|--------------------|----------------------|
| | | 5 A Cl. 1 Art.-no. | 5 A Cl. 0,5 Art.-no. | 1 A Cl. 1 Art.-no. | 1 A Cl. 0,5 Art.-no. |
| 75 | 1,5 | 1030006009 | | 1030206009 | |
| 80 | 1,5 | 1030006010 | | 1030206010 | |
| 100 | 1 | | 1030005007 | | 1030205007 |
| | 2 | 1030006001 | | 1030206001 | |
| 125 | 1,5 | | 1030005008 | | 1030205008 |
| | 2,5 | 1030006002 | | 1030206002 | |
| 150 | 1,5 | 1030006007 | 1030005001 | 1030206007 | 1030205001 |
| | 2,5 | 1030006003 | 1030005006 | 1030206003 | 1030205006 |
| 160 | 2,5 | 1030006004 | 1030005004 | 1030206004 | 1030205004 |
| 200 | 2,5 | 1030006005 | 1030005002 | 1030206005 | 1030205002 |
| 250 | 2,5 | 1030006008 | 1030005003 | 1030206008 | 1030205003 |
| | 3,75 | 1030006006 | 1030005005 | 1030206006 | 1030205005 |

| | | Art.-no. |
|--|---------------------------------|--------------|
| | Snap-on mounting, type E | 55013 |
| | Sealed shutter | - |

Low-voltage current transformers for industrial applications

Plug-in current transformer

| | | | |
|---|---|-----------------------------|----------|
| ASK 176.3 | Bus bar 1: 17 x 6 mm Round conductor: 15,2 mm Transformer width: 45 mm | Current range: 75 ... 250 A | Page: 30 |
| ASK 205.3 | Bus bar 1: 20 x 5 mm Round conductor: 17,5 mm Transformer width: 49,5 mm | Current range: 60 ... 400 A | Page: 31 |
| ASK 21.3 | Bus bar 1: 20 x 10 mm Round conductor: 19,2 mm Transformer width: 61 mm | Current range: 50 ... 500 A | Page: 32 |
| ASK 421.4 | Bus bar 1: 20 x 10 mm Round conductor: 20 mm Transformer width: 71 mm | Current range: 40 ... 500 A | Page: 33 |
| ASK 231.5 | Bus bar 1: 30 x 10 mm Round conductor: 28 mm Transformer width: 50 mm | Current range: 60 ... 500 A | Page: 34 |
| ASK 31.3 ASK 31.3 2U | Bus bar 1: 30 x 10 mm Bus bar 2: 2x 20 x 10 mm Round conductor: 26 mm Transformer width: 61 mm | Current range: 50 ... 750 A | Page: 35 |
| ASK 31.4 ASK 31.4 2U ASK 31.4 3U | Bus bar 1: 30 x 10 mm Bus bar 2: 2x 20 x 10 mm Round conductor: 28 mm Transformer width: 61 mm | Current range: 50 ... 750 A | Page: 37 |
| ASK 31.5 ASK 31.5 2U | Bus bar 1: 30 x 10 mm Bus bar 2: 2x 20 x 10 mm Round conductor: 28 mm Transformer width: 61 mm | Current range: 40 ... 750 A | Page: 39 |

| | | | |
|--|---|-------------------------------|----------|
| ASK 31.6 | Bus bar 1: 30 x 10 mm Bus bar 2: 20 x 13 mm Round conductor: 23 mm Transformer width: 95 mm | Current range: 40 ... 750 A | Page: 41 |
| ASK 318.3 | Bus bar 1: 31 x 18 mm Round conductor: 26 mm Transformer width: 61 mm | Current range: 60 ... 600 A | Page: 42 |
| ASK 41.4 ASK 41.4 2U ASK 41.4 3U | Bus bar 1: 40 x 10 mm Bus bar 2: 2x 30 x 5 mm Round conductor: 32 mm Transformer width: 71 mm | Current range: 50 ... 1000 A | Page: 43 |
| ASK 541.4 | Bus bar 1: 40 x 10 mm Bus bar 2: 2x 30 x 5 mm Round conductor: 32 mm Transformer width: 86 mm | Current range: 30 ... 750 A | Page: 45 |
| ASK 41.5 | Bus bar 1: 40 x 10 mm Bus bar 2: 2x 30 x 5 mm Round conductor: 32 mm Transformer width: 71 mm | Current range: 60 ... 1000 A | Page: 47 |
| ASK 41.3 | Bus bar 1: 40 x 12 mm Bus bar 2: 32 x 18 mm Round conductor: 26 mm Transformer width: 61 mm | Current range: 100 ... 750 A | Page: 48 |
| ASK 412.4 ASK 412.4 2U ASK 412.4 3U | Bus bar 1: 40 x 12 mm Bus bar 2: 30 x 15 mm Round conductor: 30,5 mm Transformer width: 71 mm | Current range: 50 ... 800 A | Page: 49 |
| ASK 41.6 | Bus bar 1: 40 x 12 mm Bus bar 2: 30 x 15 mm Round conductor: 32 mm Transformer width: 95 mm | Current range: 50 ... 1000 A | Page: 51 |
| ASK 51.4 ASK 51.4 2U ASK 51.4 3U | Bus bar 1: 50 x 10 mm Bus bar 2: 2x 40 x 10 mm Round conductor: 44 mm Transformer width: 86 mm | Current range: 100 ... 1250 A | Page: 52 |
| ASK 51.6 | Bus bar 1: 50 x 12 mm Bus bar 2: 2x 40 x 10 mm Round conductor: 40 mm Transformer width: 95 mm | Current range: 100 ... 1250 A | Page: 54 |

| | | | |
|---|--|-------------------------------|----------|
| ASK 561.4 | Bus bar 1: 60 x 10 mm Bus bar 2: 2x 50 x 10 mm Round conductor: 44 mm Transformer width: 86 mm | Current range: 200 ... 1250 A | Page: 55 |
| ASK 61.4 ASK 61.4 2U ASK 61.4 3U | Bus bar 1: 60 x 10 mm Bus bar 2: 2x 50 x 10 mm Round conductor: 44 mm Transformer width: 96 mm | Current range: 200 ... 1200 A | Page: 56 |
| ASK 61.6 | Bus bar 1: 60 x 10 mm Bus bar 2: 2x 50 x 10 mm Round conductor: 40 mm Transformer width: 95 mm | Current range: 100 ... 1200 A | Page: 59 |
| ASK 63.4 | Bus bar 1: 60 x 30 mm Bus bar 2: 50 x 40 mm Round conductor: 44 mm Transformer width: 96 mm | Current range: 300 ... 1600 A | Page: 61 |
| ASK 63.6 | Bus bar 1: 60 x 30 mm Round conductor: 30 mm Transformer width: 88 mm | Current range: 200 ... 2000 A | Page: 62 |
| ASK 81.4 ASK 81.4 2U ASK 81.4 3U | Bus bar 1: 80 x 10 mm Bus bar 2: 2x 60 x 10 mm Round conductor: 55 mm Transformer width: 120 mm | Current range: 400 ... 2000 A | Page: 63 |
| ASK 83.4 | Bus bar 1: 84 x 34 mm Round conductor: 34 mm Transformer width: 96 mm | Current range: 300 ... 2000 A | Page: 65 |
| ASK 101.4 ASK 101.4 2U | Bus bar 1: 100 x 10 mm Bus bar 2: 2x 80 x 10 mm Round conductor: 70 mm Transformer width: 130 mm | Current range: 500 ... 2000 A | Page: 67 |
| ASK 103.3 | Bus bar 1: 2x 100 x 10 mm Bus bar 2: 3x 80 x 10 mm Round conductor: 85 mm Transformer width: 172 mm | Current range: 750 ... 3000 A | Page: 69 |
| ASK 103.41 ASK 103.41 2U | Bus bar 1: 103 x 41 mm Round conductor: 40 mm Transformer width: 99 mm | Current range: 400 ... 2000 A | Page: 70 |

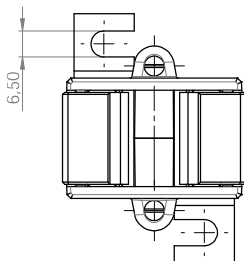
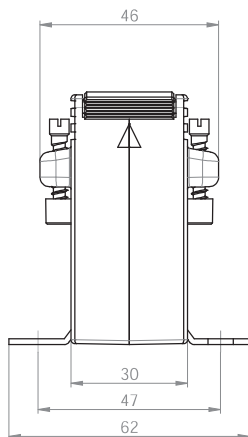
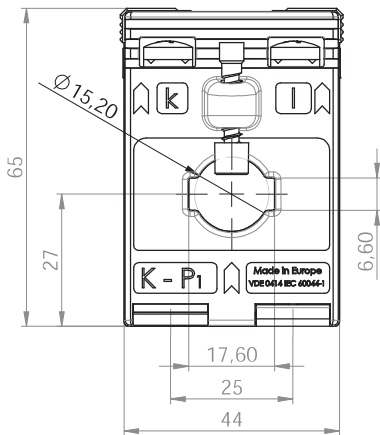
| | | | |
|-------------------|---|--------------------------------|----------|
| ASK 105.6 | Bus bar 1: 100 x 55 mm Round conductor: 55 mm Transformer width: 129 mm | Current range: 600 ... 3000 A | Page: 71 |
| ASK 105.6N | Bus bar 1: 100 x 55 mm Round conductor: 55 mm Transformer width: 129 mm | Current range: 2500 ... 4000 A | Page: 72 |
| ASK 123.3 | Bus bar 1: 123 x 30 mm Bus bar 2: 3x 100 x 10 mm Round conductor: 100 mm Transformer width: 172 mm | Current range: 750 ... 3000 A | Page: 73 |
| ASK 127.4 | Bus bar 1: 120 x 70 mm Round conductor: 70 mm Transformer width: 159 mm | Current range: 1000 ... 2500 A | Page: 74 |
| ASK 127.6 | Bus bar 1: 120 x 70 mm Round conductor: 70 mm Transformer width: 205 mm | Current range: 1000 ... 6000 A | Page: 75 |
| ASK 128.4 | Bus bar 1: 128 x 38 mm Round conductor: 38 mm Transformer width: 100 mm | Current range: 400 ... 2500 A | Page: 76 |
| ASK 129.10 | Bus bar 1: 120 x 90 mm Round conductor: 90 mm Transformer width: 250 mm | Current range: 1000 ... 7500 A | Page: 77 |
| ASK 130.3 | Bus bar 1: 130 x 25 mm Round conductor: 25 mm Transformer width: 180 mm | Current range: 300 ... 1600 A | Page: 78 |
| ASK 130.5 | Bus bar 1: 130 x 30 mm Round conductor: 30 mm Transformer width: 180 mm | Current range: 300 ... 3200 A | Page: 79 |
| ASK 165.5 | Bus bar 1: 190 x 60 mm Bus bar 2: 3x 160 x 10 mm Transformer width: 266 mm | Current range: 1000 ... 4000 A | Page: 80 |
| ASK 205.5 | Bus bar 1: 230 x 60 mm Bus bar 2: 3x 200 x 10 mm Transformer width: 306 mm | Current range: 1200 ... 5000 A | Page: 84 |

ASK 176.3

Plug-in current transformer



| | |
|-------------------|-----------|
| Bus bar 1 | 17 x 6 mm |
| Round conductor | 15,2 mm |
| Transformer width | 45 mm |
| Height | 65 mm |
| Depth | 46 mm |



| Primary current [A] | Burden [VA] | Secondary current [A] / Class | | | |
|---------------------|-------------|-------------------------------|----------------------------|--------------------------|----------------------------|
| | | 5 A Cl. 1 Art.-no. | 5 A Cl. 0,5 Art.-no. | 1 A Cl. 1 Art.-no. | 1 A Cl. 0,5 Art.-no. |
| 75 | 1,5 | 1020006009 | | 1020206009 | |
| 80 | 1,5 | 1020006010 | | 1020206010 | |
| 100 | 1 | | 1020005007 | | 1020205007 |
| | 2 | 1020006001 | | 1020206001 | |
| 125 | 1,5 | | 1020005008 | | 1020205008 |
| | 2,5 | 1020006002 | | 1020206002 | |
| 150 | 1,5 | 1020006007 | 1020005001 | 1020206007 | 1020205001 |
| | 2,5 | 1020006003 | 1020005006 | 1020206003 | 1020205006 |
| 160 | 2,5 | 1020006004 | 1020005004 | 1020206004 | 1020205004 |
| 200 | 2,5 | 1020006005 | 1020005002 | 1020206005 | 1020205002 |
| 250 | 2,5 | 1020006008 | 1020005003 | 1020206008 | 1020205003 |
| | 3,75 | 1020006006 | | 1020206006 | |

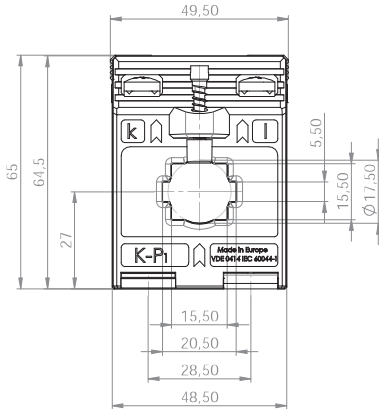
| | | Art.-no. |
|--|---------------------------------|--------------|
| | Snap-on mounting, type E | 55013 |
| | Sealed shutter | - |

ASK 205.3

Plug-in current transformer



Bus bar 1 20 x 5 mm
 Round conductor 17,5 mm
 Transformer width 49,5 mm
 Height 65 mm
 Depth 50 mm



| Primary current [A] | Burden [VA] | Secondary current [A] / Class | |
|---------------------|-------------|-------------------------------|--------------------------|
| | | 5 A Cl. 1 Art.-no. | 1 A Cl. 1 Art.-no. |
| 60 | 1 | 2019 | 2219 |
| 75 | 1 | 2020 | 2220 |
| 80 | 1,25 | 2021 | 2221 |
| | 1,5 | 2022 | 2222 |
| 100 | 1,5 | 2023 | 2223 |
| | 2,5 | 2024 | 2224 |
| 150 | 1,5 | 2025 | 2225 |
| | 2,5 | 2026 | 2226 |
| 200 | 2,5 | 2027 | 2227 |
| | 5 | 2028 | 2228 |
| 250 | 2,5 | 2029 | 2229 |
| | 5 | 2030 | 2230 |
| 300 | 2,5 | 2031 | 2231 |
| | 5 | 2032 | 2232 |
| 400 | 2,5 | 2033 | 2233 |
| | 5 | | |

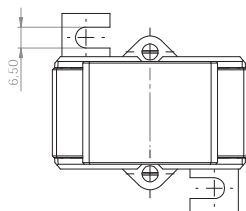
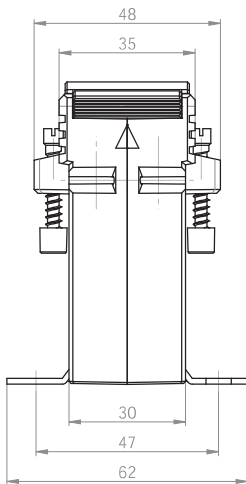
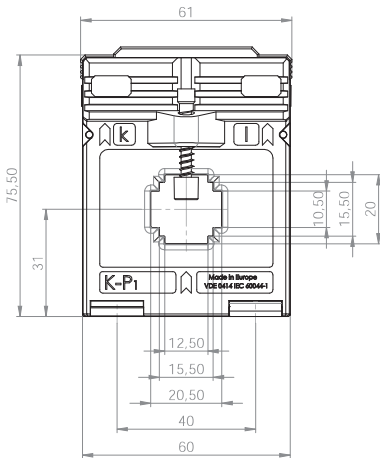
| | | Art.-no. |
|--|---------------------------------|--------------|
| | Snap-on mounting, type F | 55014 |
| | Sealed shutter | - |

ASK 21.3

Plug-in current transformer



Bus bar 1 20 x 10 mm
 Round conductor 19,2 mm
 Transformer width 61 mm
 Height 75,5 mm
 Depth 48 mm



| Primary current [A] | Burden [VA] | Secondary current [A] / Class | | | | |
|---------------------|-------------|-------------------------------|----------------------|-----------------------|--------------------|----------------------|
| | | 5 A Cl. 1 Art.-no. | 5 A Cl. 0,5 Art.-no. | 5 A Cl. 0,2s Art.-no. | 1 A Cl. 1 Art.-no. | 1 A Cl. 0,5 Art.-no. |
| 50 | 1 | 6035 | | | 6235 | |
| 60 | 1 | 6037 | | | 6237 | |
| | 1,5 | 6038 | | | 6238 | |
| 75 | 1,5 | 6039 | | | 6239 | |
| | 2,5 | 6040 | | | 6240 | |
| 80 | 1,5 | 6041 | | | 6241 | |
| | 2,5 | 6042 | | | 6242 | |
| 100 | 1,5 | 6043 | 6011 | | 6243 | 6211 |
| | 2,5 | 6044 | 6111 | | 6244 | 6311 |
| | 3,75 | 6077 | | | 6277 | |
| 150 | 1,5 | 6046 | 6012 | V10-1604C | 6246 | 6212 |
| | 2,5 | 6047 | 6013 | V10-1604D | 6247 | 6213 |
| | 5 | 6048 | | | 6248 | |
| 200 | 2,5 | 6049 | 6015 | V10-1704D | 6249 | 6215 |
| | 5 | 6050 | 6016 | V10-1704F | 6250 | 6216 |
| | 7,5 | 6083 | | | 6283 | |
| | 10 | 6051 | | | 6251 | |
| 250 | 2,5 | 6052 | 6018 | V10-1804D | 6252 | 6218 |
| | 5 | 6053 | 6019 | V10-1804F | 6253 | 6219 |
| | 10 | 6054 | 6020 | | 6254 | 6220 |
| 300 | 2,5 | 6056 | 6022 | V10-1904D | 6256 | 6222 |
| | 5 | 6057 | 6023 | V10-1904F | 6257 | 6223 |
| | 10 | 6058 | 6024 | | 6258 | 6224 |
| 400 | 2,5 | 6060 | 6025 | V10-2004D | 6260 | 6225 |
| | 5 | 6061 | 6026 | V10-2004F | 6261 | 6226 |
| | 10 | 6062 | 6027 | | 6262 | 6227 |
| | 15 | 6063 | | | 6263 | |
| 500 | 2,5 | 6064 | 6028 | V10-2104D | 6264 | 6228 |
| | 5 | 6065 | 6029 | V10-2104F | 6265 | 6229 |
| | 10 | 6066 | 6030 | | 6266 | 6230 |

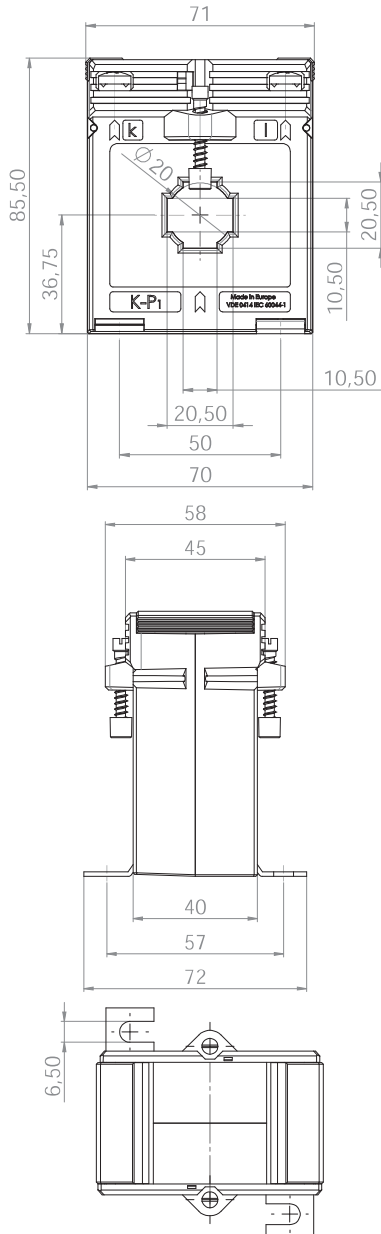
| | | Art.-no. |
|--|---------------------------------|--------------|
| | Snap-on mounting, type A | 53011 |
| | Sealed shutter, type A | 59040 |

ASK 421.4

Plug-in current transformer



Bus bar 1 20 x 10 mm
 Round conductor 20 mm
 Transformer width 71 mm
 Height 85,5 mm
 Depth 58 mm



| Primary current [A] | Burden [VA] | Secondary current [A] / Class | | | |
|---------------------|-------------|-------------------------------|----------------------------|--------------------------|----------------------------|
| | | 5 A Cl. 1 Art.-no. | 5 A Cl. 0,5 Art.-no. | 1 A Cl. 1 Art.-no. | 1 A Cl. 0,5 Art.-no. |
| 40 | 1,5 | 12034 | | 12234 | |
| 50 | 1,5 | 12035 | 12011 | 12235 | 12211 |
| | 2,5 | 12036 | | 12236 | |
| 60 | 1,5 | 12037 | 12012 | 12237 | 12212 |
| | 2,5 | 12038 | | 12238 | |
| 75 | 1,5 | | 12009 | | 12209 |
| | 2,5 | 12040 | 12013 | 12240 | 12213 |
| | 3,75 | 12069 | | 12269 | |
| 80 | 1,5 | | 12010 | | 12210 |
| | 2,5 | 12042 | 12014 | 12242 | 12214 |
| | 3,75 | 12068 | | 12268 | |
| | 5 | | | 12243 | |
| 100 | 2,5 | 12044 | 12015 | 12244 | 12215 |
| | 5 | 12045 | | 12245 | |
| 125 | 2,5 | 12047 | 12017 | 12247 | 12217 |
| | 5 | 12048 | 12018 | 12248 | 12218 |
| 150 | 2,5 | 12112 | 12019 | 12293 | 12219 |
| | 5 | 12050 | 12020 | 12250 | 12220 |
| | 10 | 12051 | | 12251 | |
| 200 | 2,5 | 12276 | 12021 | 12294 | 12221 |
| | 5 | 12053 | 12022 | 12253 | 12222 |
| | 10 | 12054 | | 12254 | |
| 250 | 15 | 12055 | | 12255 | |
| | 5 | 12056 | 12023 | 12256 | 12223 |
| | 10 | 12057 | 12024 | 12257 | 12224 |
| 300 | 15 | 12058 | | 12258 | |
| | 5 | 12059 | 12025 | 12259 | 12225 |
| | 10 | 12060 | 12026 | 12260 | 12226 |
| 400 | 15 | 12061 | | 12261 | |
| | 5 | 12113 | 12027 | 12295 | 12227 |
| | 10 | 12062 | 12028 | 12262 | 12228 |
| 500 | 15 | 12063 | 12029 | 12263 | 12229 |
| | 5 | 12280 | 12030 | 12296 | 12230 |
| | 10 | 12065 | 12031 | 12265 | 12231 |
| | 15 | 12066 | 12032 | 12266 | 12232 |

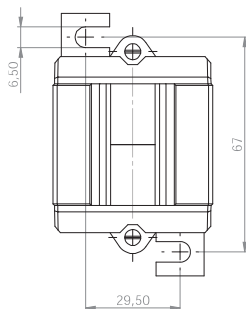
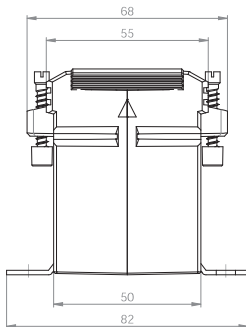
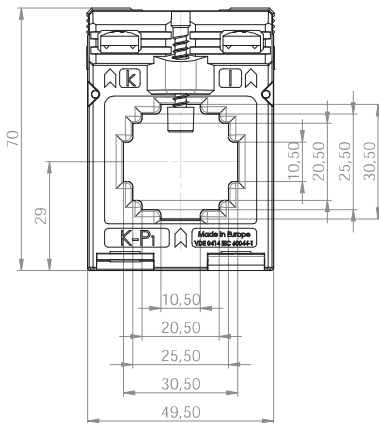
| | | Art.-no. |
|--|---------------------------------|--------------|
| | Snap-on mounting, type D | 55012 |
| | Sealed shutter, type B | 59041 |

ASK 231.5

Plug-in current transformer



Bus bar 1 30 x 10 mm
 Round conductor 28 mm
 Transformer width 50 mm
 Height 70 mm
 Depth 68 mm



| Primary current [A] | Burden [VA] | Secondary current [A] / Class | | | |
|---------------------|-------------|-------------------------------|----------------------|--------------------|----------------------|
| | | 5 A Cl. 1 Art.-no. | 5 A Cl. 0,5 Art.-no. | 1 A Cl. 1 Art.-no. | 1 A Cl. 0,5 Art.-no. |
| 60 | 1 | 92052 | | 92252 | |
| 75 | 1,25 | 92054 | | 92254 | |
| 80 | 1,25 | 92056 | | 92256 | |
| 100 | 1,5 | 92059 | | 92259 | |
| 125 | 1,5 | 92062 | | 92262 | 92220 |
| | 2,5 | 92063 | | 92263 | |
| 150 | 1,5 | 92065 | | 92265 | 92223 |
| | 2,5 | 92066 | | 92266 | |
| 200 | 2,5 | 92068 | 92026 | 92268 | 92226 |
| | 2,5 | 92071 | 92028 | 92271 | 92228 |
| 250 | 5 | | | 92272 | |
| | 2,5 | 92074 | 92030 | 92274 | 92230 |
| 300 | 5 | 92075 | | 92275 | |
| | 2,5 | 92077 | 92032 | 92277 | 92232 |
| 400 | 5 | 92078 | 92033 | 92278 | 92233 |
| | 2,5 | 92081 | 92035 | 92281 | 92235 |
| 500 | 5 | 92082 | 92036 | 92282 | 92236 |

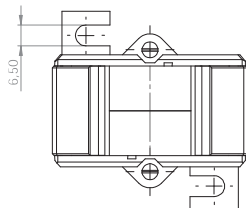
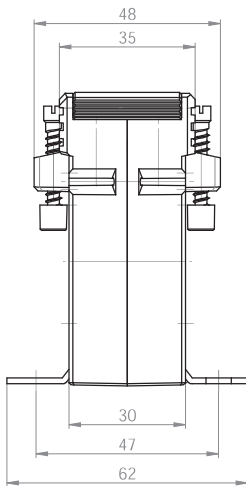
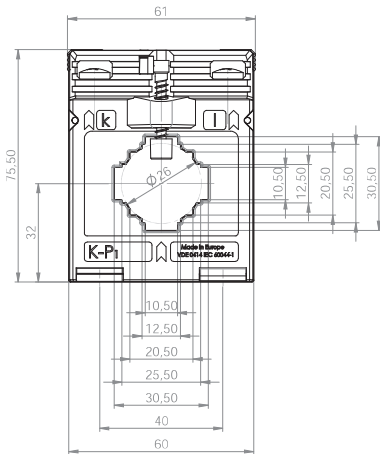
| | | Art.-no. |
|--|-------------------------|----------|
| | Snap-on mounting | - |
| | Sealed shutter | - |

ASK 31.3

Plug-in current transformer



Bus bar 1 30 x 10 mm
 Bus bar 2 2 x 20 x 10 mm
 Round conductor 26 mm
 Transformer width 61 mm
 Height 75,5 mm
 Depth 48 mm



| Primary current [A] | Burden [VA] | Secondary current [A] / Class | | | | |
|---------------------|-------------|-------------------------------|----------------------|-----------------------|--------------------|----------------------|
| | | 5 A Cl. 1 Art.-no. | 5 A Cl. 0,5 Art.-no. | 5 A Cl. 0,2s Art.-no. | 1 A Cl. 1 Art.-no. | 1 A Cl. 0,5 Art.-no. |
| 50 | 1 | 7038 | | | 7238 | |
| 60 | 1 | 7039 | | | 7239 | |
| 75 | 1 | 7040 | | | 7240 | |
| | 1,5 | 7041 | | | 7241 | |
| 80 | 1,5 | 7042 | | | 7242 | |
| | 2,5 | 7043 | | | 7243 | |
| 100 | 1,5 | 7044 | 7011 | | 7244 | 7211 |
| | 2,5 | 7045 | 7012 | | 7245 | 7212 |
| 150 | 1,5 | 7046 | 7013 | V11-1604C | 7246 | 7213 |
| | 2,5 | 7047 | 7014 | | 7247 | 7214 |
| 200 | 1,5 | 7048 | 7015 | V11-1704C | 7248 | 7215 |
| | 2,5 | 7049 | 7016 | V11-1704D | 7249 | 7216 |
| | 5 | 7050 | 7017 | | 7250 | |
| 250 | 1,5 | 7051 | 7018 | V11-1804C | 7251 | 7218 |
| | 2,5 | 7052 | 7019 | V11-1804D | 7252 | 7219 |
| | 5 | 7053 | 7020 | V11-1804F | 7253 | 7220 |
| 300 | 1,5 | 7055 | 7021 | V11-1904C | 7255 | 7221 |
| | 2,5 | 7056 | 7022 | V11-1904D | 7256 | 7222 |
| | 5 | 7057 | 7023 | V11-1904F | 7257 | 7223 |
| 400 | 1,5 | 7059 | | V11-2004C | 7259 | |
| | 2,5 | 7060 | 7025 | V11-2004D | 7260 | 7225 |
| | 5 | 7061 | 7026 | V11-2004F | 7261 | 7226 |
| 500 | 10 | 7062 | | | 7262 | |
| | 2,5 | 7063 | 7028 | V11-2104D | 7263 | 7228 |
| | 5 | 7064 | 7029 | V11-2104F | 7264 | 7229 |
| 600 | 10 | 7065 | 7030 | | 7265 | 7230 |
| | 2,5 | 7066 | 7031 | V11-2204D | 7266 | 7231 |
| | 5 | 7067 | 7032 | V11-2204F | 7267 | 7232 |
| 750 | 10 | 7068 | 7033 | | 7268 | 7233 |
| | 2,5 | 7070 | 7035 | V11-2304D | 7270 | 7235 |
| | 5 | 7071 | 7036 | V11-2304F | 7271 | 7236 |
| | 10 | 7072 | 7037 | | 7272 | 7237 |

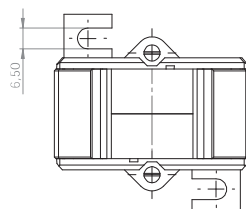
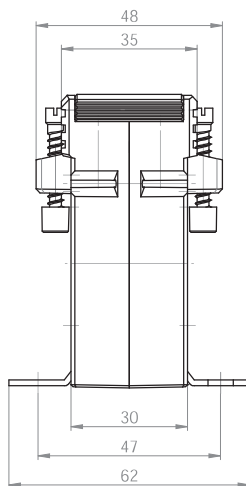
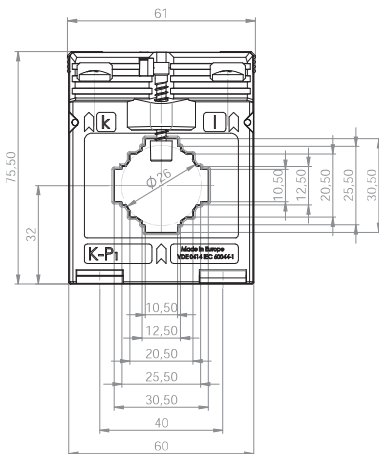
| | | Art.-no. |
|--|--------------------------|----------|
| | Snap-on mounting, type A | 53011 |
| | Sealed shutter, type A | 59040 |

ASK 31.3 2U

Plug-in current transformer, secondary reconnectable



| | |
|-------------------|----------------|
| Bus bar 1 | 30 x 10 mm |
| Bus bar 2 | 2 x 20 x 10 mm |
| Round conductor | 26 mm |
| Transformer width | 61 mm |
| Height | 75,5 mm |
| Depth | 48 mm |



| Primary current [A] | Burden [VA] | Secondary current [A] / Class | |
|---------------------|-------------|-------------------------------|--------------------------|
| | | 5 A Cl. 1 Art.-no. | 1 A Cl. 1 Art.-no. |
| 200-100 | 5-2,5 | 7111 | 7311 |
| 300-150 | 5-2,5 | 7112 | 7312 |
| 400-200 | 5-2,5 | 7113 | 7313 |
| | 10-5 | 7114 | 7314 |
| 500-250 | 5-2,5 | 7115 | 7315 |
| | 10-5 | 7116 | 7316 |
| 600-300 | 10-5 | 7117 | 7317 |

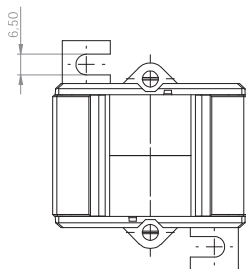
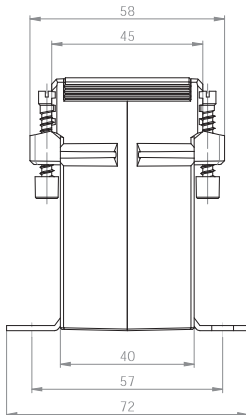
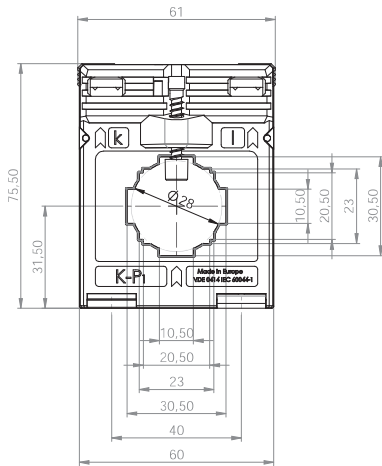
| | | Art.-no. |
|--|---------------------------------|--------------|
| | Snap-on mounting, type A | 53011 |
| | Sealed shutter, type A | 59040 |

ASK 31.4

Plug-in current transformer



Bus bar 1 30 x 10 mm
 Bus bar 2 2 x 20 x 10 mm
 Round conductor 28 mm
 Transformer width 61 mm
 Height 75,5 mm
 Depth 58 mm



| Primary current [A] | Burden [VA] | Secondary current [A] / Class | | | | |
|---------------------|-------------|-------------------------------|----------------------|-----------------------|--------------------|----------------------|
| | | 5 A Cl. 1 Art.-no. | 5 A Cl. 0,5 Art.-no. | 5 A Cl. 0,2s Art.-no. | 1 A Cl. 1 Art.-no. | 1 A Cl. 0,5 Art.-no. |
| 50 | 1,25 | 8157 | | | 8357 | |
| | 1,5 | 8038 | | | | |
| 60 | 1,25 | 8158 | | | 8358 | |
| | 1,5 | 8039 | | | 8239 | |
| 75 | 1,5 | 8041 | | | 8241 | |
| | 2,5 | 8042 | | | 8242 | |
| 80 | 1,5 | 8043 | | | 8243 | |
| | 2,5 | 8044 | | | 8244 | |
| 100 | 1,5 | 8045 | 8011 | | 8245 | 8211 |
| | 2,5 | 8046 | 8010 | | 8246 | 8210 |
| | 3,75 | 8152 | | | 8276 | |
| 150 | 1,5 | 8048 | 8012 | V14-1604C | 8248 | 8212 |
| | 2,5 | 8049 | 8013 | V14-1604D | 8249 | 8213 |
| | 5 | 8050 | 8410 | | 8250 | |
| 200 | 2,5 | 8052 | 8014 | V14-1704D | 8252 | 8214 |
| | 5 | 8053 | 8015 | V14-1704F | 8253 | 8215 |
| | 7,5 | 8161 | | | 8281 | |
| 250 | 10 | | | | 8254 | |
| | 2,5 | 8055 | 8016 | V14-1804D | 8255 | 8216 |
| | 5 | 8056 | 8017 | V14-1804F | 8256 | 8217 |
| 300 | 10 | 8057 | | | 8257 | |
| | 2,5 | 8059 | 8018 | V14-1904D | 8259 | 8218 |
| | 5 | 8060 | 8019 | V14-1904F | 8260 | 8219 |
| 400 | 10 | 8061 | 8020 | | 8261 | 8220 |
| | 15 | | | | 8262 | |
| | 2,5 | 8063 | 8021 | V14-2004D | 8263 | 8221 |
| 500 | 5 | 8064 | 8022 | V14-2004F | 8264 | 8222 |
| | 10 | 8065 | 8023 | | 8265 | 8223 |
| | 15 | | | | 8266 | |
| 600 | 2,5 | 8067 | 8025 | V14-2104D | 8267 | 8225 |
| | 5 | 8068 | 8026 | V14-2104F | 8268 | 8226 |
| | 10 | 8069 | 8027 | | 8269 | 8227 |
| 750 | 2,5 | 8071 | 8029 | V14-2204D | 8271 | 8229 |
| | 5 | 8072 | 8030 | V14-2204F | 8272 | 8230 |
| | 10 | 8073 | 8031 | V14-2204H | 8273 | 8231 |
| 750 | 15 | 8074 | 8032 | | 8274 | 8232 |
| | 2,5 | 8153 | 8033 | V14-2304D | 8353 | 8233 |
| | 5 | 8154 | 8034 | V14-2304F | 8354 | 8234 |
| | 10 | 8155 | 8035 | V14-2304H | 8355 | 8235 |
| 15 | 8156 | 8036 | | 8356 | 8236 | |

| | | Art.-no. |
|--|---------------------------------|--------------|
| | Snap-on mounting, type B | 54011 |
| | Sealed shutter, type B | 59041 |

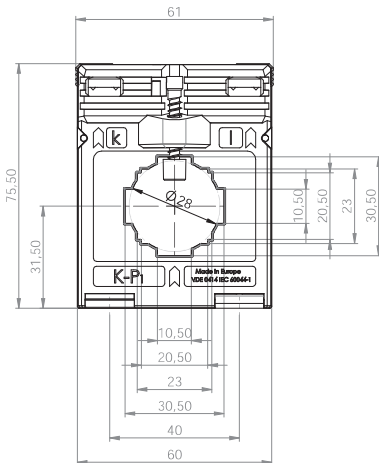
ASK 31.4 2U

Plug-in current transformer, secondary reconnectable



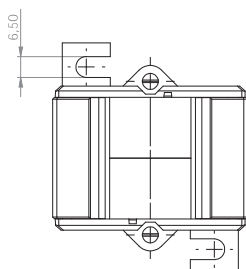
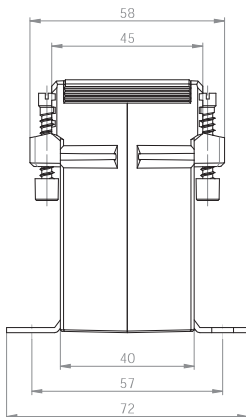
| | |
|-------------------|----------------|
| Bus bar 1 | 30 x 10 mm |
| Bus bar 2 | 2 x 20 x 10 mm |
| Round conductor | 28 mm |
| Transformer width | 61 mm |
| Height | 75,5 mm |
| Depth | 58 mm |

| Primary current [A] | Burden [VA] | Secondary current [A] / Class | |
|---------------------|-------------|-------------------------------|--------------------------|
| | | 5 A Cl. 1 Art.-no. | 1 A Cl. 1 Art.-no. |
| 200-100 | 5-2,5 | 8117 | 8317 |
| 300-150 | 5-2,5 | 8118 | 8318 |
| | 10-5 | 8119 | 8319 |
| 400-200 | 5-2,5 | 8120 | 8320 |
| | 10-5 | 8121 | 8321 |
| 500-250 | 5-2,5 | 8122 | 8322 |
| | 10-5 | 8123 | 8323 |
| 600-300 | 5-2,5 | 8124 | 8324 |
| | 10-5 | 8125 | 8325 |
| | 15-7,5 | 8126 | 8326 |



ASK 31.4 3U

Plug-in current transformer, secondary reconnectable



| Primary current [A] | Burden [VA] | Secondary current [A] / Class | |
|---------------------|-------------|-------------------------------|--------------------------|
| | | 5 A Cl. 1 Art.-no. | 1 A Cl. 1 Art.-no. |
| 300-200-100 | 10-5-2,5 | 8137 | 8337 |
| 400-200-100 | 10-5-2,5 | 8138 | 8338 |
| 600-300-150 | 10-5-2,5 | 8139 | 8339 |
| | 15-10-5 | 8140 | 8340 |
| 600-400-200 | 10-5-2,5 | 8141 | 8341 |
| | 15-10-5 | 8142 | 8342 |

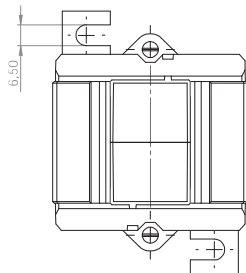
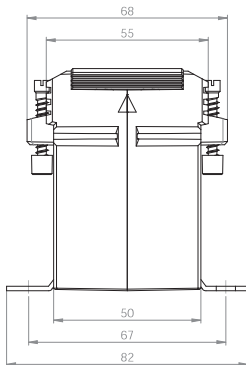
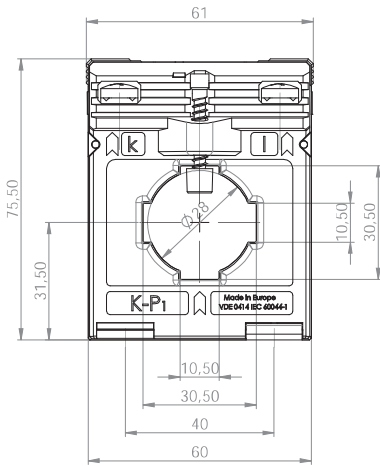
| | | Art.-no. |
|--|---------------------------------|--------------|
| | Snap-on mounting, type B | 54011 |
| | Sealed shutter, type B | 59041 |

ASK 31.5

Plug-in current transformer



| | |
|-------------------|----------------|
| Bus bar 1 | 30 x 10 mm |
| Bus bar 2 | 2 x 20 x 10 mm |
| Round conductor | 28 mm |
| Transformer width | 61 mm |
| Height | 75,5 mm |
| Depth | 68 mm |



| Primary current [A] | Burden [VA] | Secondary current [A] / Class | | | |
|---------------------|-------------|-------------------------------|----------------------------|--------------------------|----------------------------|
| | | 5 A Cl. 1 Art.-no. | 5 A Cl. 0,5 Art.-no. | 1 A Cl. 1 Art.-no. | 1 A Cl. 0,5 Art.-no. |
| 40 | 1 | 9043 | | 9243 | |
| 50 | 1,5 | 9045 | | 9245 | |
| 60 | 1,5 | 9047 | | 9247 | |
| | 2,5 | 9048 | | 9248 | |
| 75 | 1,5 | 9049 | 9011 | 9249 | 9211 |
| | 2,5 | 9050 | 9012 | 9250 | 9212 |
| 80 | 1,5 | 9051 | 9013 | 9251 | 9213 |
| | 2,5 | 9052 | 9014 | 9252 | 9214 |
| 100 | 1,5 | 9054 | 9015 | 9254 | 9215 |
| | 2,5 | 9055 | 9016 | 9255 | 9216 |
| | 5 | 9056 | 9017 | 9256 | 9217 |
| 150 | 2,5 | 9057 | 9018 | 9257 | 9218 |
| | 5 | 9058 | 9019 | 9258 | 9219 |
| | 7,5 | 9059 | | 9259 | |
| 200 | 2,5 | 9060 | 9020 | 9260 | 9220 |
| | 5 | 9061 | 9021 | 9261 | 9221 |
| | 10 | 9062 | 9022 | 9262 | 9222 |
| 250 | 5 | 9064 | 9023 | 9264 | 9223 |
| | 10 | 9065 | 9024 | 9265 | 9224 |
| | 15 | 9066 | 9025 | 9266 | 9225 |
| 300 | 5 | 9067 | 9026 | 9267 | 9226 |
| | 10 | 9068 | 9027 | 9268 | 9227 |
| | 15 | 9069 | 9028 | 9269 | 9228 |
| 400 | 5 | 9070 | 9029 | 9270 | 9229 |
| | 10 | 9071 | 9030 | 9271 | 9230 |
| | 15 | 9072 | 9031 | 9272 | 9231 |
| 500 | 5 | 9074 | 9032 | 9274 | 9232 |
| | 10 | 9075 | 9033 | 9275 | 9233 |
| | 15 | 9076 | 9034 | 9276 | 9234 |
| 600 | 5 | 9078 | 9035 | 9278 | 9235 |
| | 10 | 9079 | 9036 | 9279 | 9236 |
| | 15 | 9080 | 9037 | 9280 | 9237 |
| 750 | 5 | 9082 | 9038 | 9282 | 9238 |
| | 10 | 9083 | 9039 | 9283 | 9239 |
| | 15 | 9084 | 9040 | 9284 | 9240 |

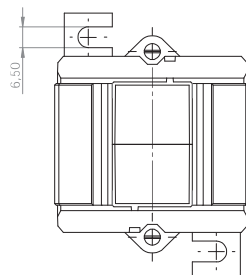
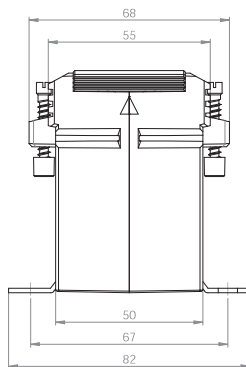
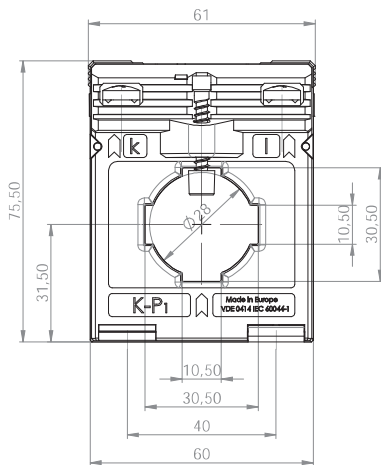
| | | Art.-no. |
|--|---------------------------------|--------------|
| | Snap-on mounting, type C | 55011 |
| | Sealed shutter, type B | 59041 |

ASK 31.5 2U

Plug-in current transformer, secondary reconnectable



| | |
|-------------------|----------------|
| Bus bar 1 | 30 x 10 mm |
| Bus bar 2 | 2 x 20 x 10 mm |
| Round conductor | 28 mm |
| Transformer width | 61 mm |
| Height | 75,5 mm |
| Depth | 68 mm |



| Primary current [A] | Burden [VA] | Secondary current [A] / Class | |
|---------------------|-------------|-------------------------------|--------------------------|
| | | 5 A Cl. 1 Art.-no. | 1 A Cl. 1 Art.-no. |
| 150-75 | 5-2,5 | 9132 | 9332 |
| 200-100 | 5-2,5 | 9133 | 9333 |
| | 10-5 | 9134 | 9334 |
| 300-150 | 5-2,5 | 9135 | 9335 |
| | 10-5 | 9136 | 9336 |
| | 15-7,5 | 9137 | 9337 |
| 400-200 | 5-2,5 | 9138 | 9338 |
| | 10-5 | 9139 | 9339 |
| | 15-7,5 | 9140 | 9340 |
| 500-250 | 5-2,5 | 9141 | 9341 |
| | 10-5 | 9142 | 9342 |
| | 15-7,5 | 9143 | 9343 |
| 600-300 | 5-2,5 | 9144 | 9344 |
| | 10-5 | 9145 | 9345 |
| | 15-7,5 | 9146 | 9346 |

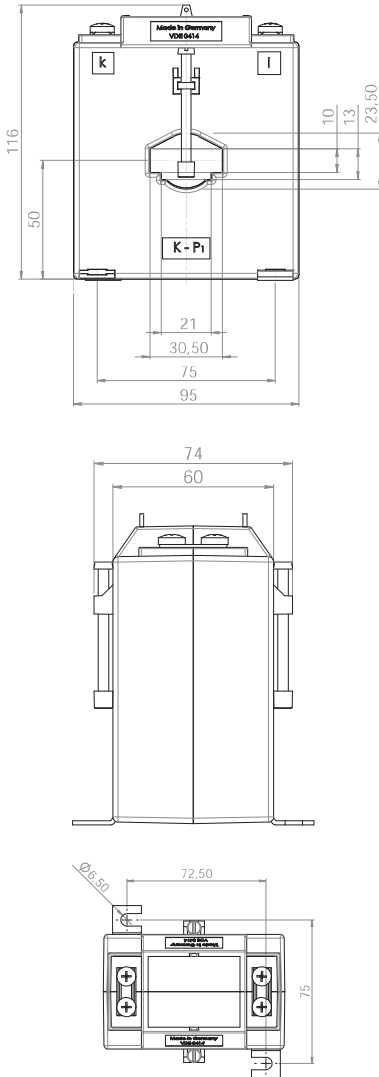
| | | Art.-no. |
|--|---------------------------------|--------------|
| | Snap-on mounting, type C | 55011 |
| | Sealed shutter, type B | 59041 |

ASK 31.6

Plug-in current transformer



| | |
|-------------------|------------|
| Bus bar 1 | 30 x 10 mm |
| Bus bar 2 | 20 x 13 mm |
| Round conductor | 23 mm |
| Transformer width | 95 mm |
| Height | 116 mm |
| Depth | 74 mm |



| Primary current [A] | Burden [VA] | Secondary current [A] / Class | | | |
|---------------------|-------------|-------------------------------|----------------------------|--------------------------|----------------------------|
| | | 5 A Cl. 1 Art.-no. | 5 A Cl. 0,5 Art.-no. | 1 A Cl. 1 Art.-no. | 1 A Cl. 0,5 Art.-no. |
| 40 | 1,5 | 10056 | | 10256 | |
| 50 | 1,5 | | 10011 | | |
| | 2,5 | 10058 | 10012 | | |
| 60 | 1,5 | | 10013 | | 10213 |
| | 2,5 | 10059 | 10014 | 10259 | 10214 |
| | 3,75 | 10060 | | 10260 | |
| 75 | 2,5 | 10061 | 10015 | 10261 | 10215 |
| | 5 | 10062 | 10016 | 10262 | 10216 |
| 80 | 2,5 | 10063 | 10017 | 10263 | 10217 |
| | 5 | 10064 | 10018 | 10264 | 10218 |
| | 10 | 10065 | | 10265 | |
| 100 | 2,5 | 10066 | 10019 | 10266 | 10219 |
| | 5 | 10067 | 10020 | 10267 | 10220 |
| | 10 | 10068 | 10021 | 10268 | 10221 |
| 150 | 2,5 | | 10022 | | 10222 |
| | 5 | 10070 | 10023 | 10270 | 10223 |
| | 10 | 10071 | 10024 | 10271 | 10224 |
| | 15 | 10072 | 10025 | 10272 | 10225 |
| 200 | 2,5 | | 10026 | | 10226 |
| | 5 | 10073 | 10027 | 10273 | 10227 |
| | 10 | 10074 | 10028 | 10274 | 10228 |
| | 15 | 10075 | 10029 | 10275 | 10229 |
| 250 | 30 | 10120 | | 10320 | |
| | 5 | 10076 | 10030 | 10276 | 10230 |
| | 10 | 10077 | 10031 | 10277 | 10231 |
| | 15 | 10078 | 10032 | 10278 | 10232 |
| 300 | 30 | 10124 | | 10324 | |
| | 5 | 10079 | 10034 | 10279 | 10234 |
| | 10 | 10080 | 10035 | 10280 | 10235 |
| | 15 | 10081 | 10036 | 10281 | 10236 |
| 400 | 30 | 10125 | | 10325 | |
| | 5 | 10082 | 10038 | 10282 | 10238 |
| | 10 | 10083 | 10039 | 10283 | 10239 |
| | 15 | 10084 | 10040 | 10284 | 10240 |
| 500 | 30 | 10406 | | 10326 | |
| | 5 | 10085 | 10042 | 10285 | 10242 |
| | 10 | 10086 | 10043 | 10286 | 10243 |
| | 15 | 10087 | 10044 | 10287 | 10244 |
| 600 | 30 | 10121 | 10045 | 10321 | 10245 |
| | 5 | 10088 | 10046 | 10288 | 10246 |
| | 10 | 10089 | 10047 | 10289 | 10247 |
| | 15 | 10090 | 10048 | 10290 | 10248 |
| 750 | 30 | 10122 | 10049 | 10322 | 10249 |
| | 5 | 10091 | 10050 | 10291 | 10250 |
| | 10 | 10092 | 10051 | 10292 | 10251 |
| | 15 | 10093 | 10052 | 10293 | 10252 |
| | 30 | 10123 | 10053 | 10323 | 10253 |

| | | Art.-no. |
|--|------------------------|----------|
| | Snap-on mounting | - |
| | Sealed shutter, type E | 59044 |

MBS AG

Eisbachstraße 51 - 74429 Sulzbach-Laufen
Germany

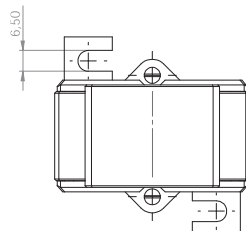
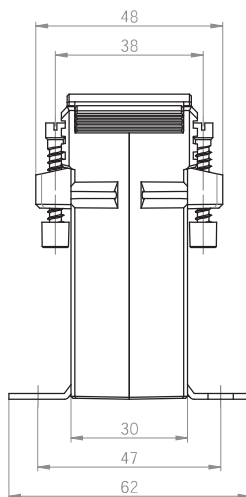
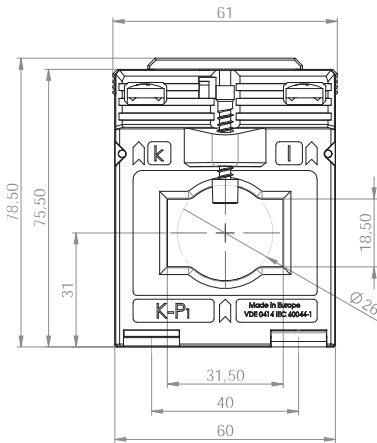
Telefon: +49 7976 9851-0 - Telefax: +49 7976 9851-90
E-Mail: info@mbs-ag.com - Web: www.mbs-ag.com

ASK 318.3

Plug-in current transformer



Bus bar 1 31 x 18 mm
 Round conductor 26 mm
 Transformer width 61 mm
 Height 75,5 mm
 Depth 48 mm



| Primary current [A] | Burden [VA] | Secondary current [A] / Class | | | |
|---------------------|-------------|-------------------------------|----------------------|--------------------|----------------------|
| | | 5 A Cl. 1 Art.-no. | 5 A Cl. 0,5 Art.-no. | 1 A Cl. 1 Art.-no. | 1 A Cl. 0,5 Art.-no. |
| 60 | 1 | 29042 | | | |
| 80 | 1,5 | 29045 | | 29245 | |
| 100 | 1,5 | 29047 | 29011 | 29247 | 29211 |
| | 2,5 | 29048 | | 29248 | |
| 150 | 1,5 | 29049 | 29013 | 29249 | 29213 |
| | 2,5 | 29050 | | 29250 | 29214 |
| 200 | 2,5 | 29052 | 29016 | 29252 | 29216 |
| | 3,75 | 29054 | | 29254 | |
| | 5 | | | 29253 | |
| 250 | 2,5 | 29055 | 29019 | 29255 | 29219 |
| | 5 | 29056 | 29020 | 29256 | |
| 300 | 2,5 | 29059 | 29023 | 29259 | 29223 |
| | 5 | 29060 | 29024 | 29260 | 29224 |
| 400 | 2,5 | 29063 | 29027 | 29263 | 29227 |
| | 5 | 29064 | 29028 | 29264 | 29228 |
| | 7,5 | 29077 | | 29277 | |
| 500 | 10 | 29065 | | 29265 | |
| | 2,5 | 29066 | 29030 | 29266 | 29230 |
| | 5 | 29067 | 29031 | 29267 | 29231 |
| 600 | 10 | 29068 | | 29268 | |
| | 2,5 | 29069 | 29033 | 29269 | 29233 |
| | 5 | 29070 | 29034 | 29270 | 29234 |
| | 10 | 29071 | 29035 | 29271 | 29235 |

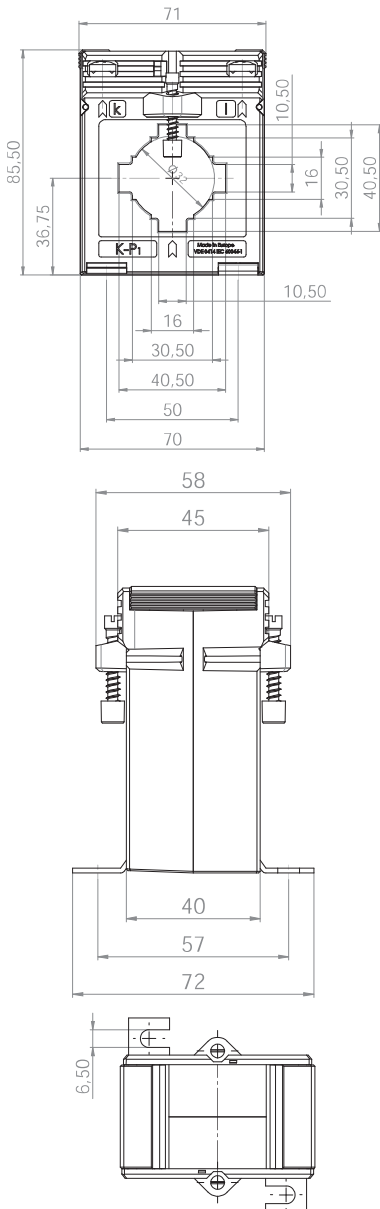
| | | Art.-no. |
|--|---------------------------------|--------------|
| | Snap-on mounting, type A | 53011 |
| | Sealed shutter, type A | 59040 |

ASK 41.4

Plug-in current transformer



Bus bar 1 40 x 10 mm
 Bus bar 2 2 x 30 x 5 mm
 Round conductor 32 mm
 Transformer width 71 mm
 Height 85,5 mm
 Depth 58 mm



| Primary current [A] | Burden [VA] | Secondary current [A] / Class | | | | |
|---------------------|-------------|-------------------------------|----------------------------|-----------------------------|--------------------------|----------------------------|
| | | 5 A Cl. 1 Art.-no. | 5 A Cl. 0,5 Art.-no. | 5 A Cl. 0,2s Art.-no. | 1 A Cl. 1 Art.-no. | 1 A Cl. 0,5 Art.-no. |
| 50 | 1,25 | 13180 | | | | |
| | 1,5 | 13036 | | | | |
| 60 | 1,25 | 13181 | | | | |
| | 1,5 | 13037 | | | | |
| 75 | 1,5 | 13039 | | | 13239 | |
| 80 | 1,5 | 13041 | | | 13241 | |
| | 2,5 | 13042 | | | 13242 | |
| 100 | 1,5 | 13043 | 13011 | | 13243 | 13211 |
| | 2,5 | 13044 | 13083 | | 13244 | 13283 |
| | 3,75 | 13179 | | | 13245 | |
| 150 | 1,5 | 13046 | 13012 | V24-1604C | 13246 | 13212 |
| | 2,5 | 13047 | 13013 | | 13247 | 13213 |
| | 5 | 13048 | | | 13248 | |
| 200 | 1,5 | | 13014 | V24-1704C | | 13214 |
| | 2,5 | 13049 | 13015 | V24-1704D | 13249 | 13215 |
| | 5 | 13050 | 13085 | | 13250 | 13285 |
| | 10 | 13051 | | | 13251 | |
| 250 | 1,5 | | 13016 | V24-1804C | | 13216 |
| | 2,5 | 13052 | 13017 | V24-1804D | 13252 | 13217 |
| | 5 | 13053 | 13086 | V24-1804F | 13253 | 13286 |
| | 10 | 13054 | | | 13254 | |
| 300 | 2,5 | 13055 | 13018 | V24-1904D | 13255 | 13218 |
| | 5 | 13056 | 13019 | V24-1904F | 13256 | 13219 |
| | 10 | 13057 | 13087 | | 13257 | 13287 |
| | 15 | 13058 | | | 13258 | |
| 400 | 2,5 | 13059 | 13020 | V24-2004D | 13259 | 13220 |
| | 5 | 13060 | 13021 | V24-2004F | 13260 | 13221 |
| | 10 | 13061 | 13088 | V24-2004H | 13261 | 13288 |
| | 15 | 13062 | | | 13262 | |
| 500 | 2,5 | 13063 | 13022 | V24-2104D | 13263 | 13222 |
| | 5 | 13064 | 13023 | V24-2104F | 13264 | 13223 |
| | 10 | 13065 | 13024 | V24-2104H | 13265 | 13224 |
| | 15 | 13066 | 13089 | | 13266 | 13289 |
| 600 | 2,5 | 13067 | 13025 | V24-2204D | 13267 | 13225 |
| | 5 | 13068 | 13026 | V24-2204F | 13268 | 13226 |
| | 10 | 13069 | 13027 | | 13269 | 13227 |
| | 15 | 13070 | 13090 | | 13270 | |
| 750 | 2,5 | | | V24-2304D | | |
| | 5 | 13071 | 13028 | V24-2304F | 13271 | 13228 |
| | 10 | 13072 | 13029 | V24-2304H | 13272 | 13229 |
| 800 | 15 | 13073 | | | 13273 | 13291 |
| | 5 | 13075 | 13030 | | 13275 | 13230 |
| | 10 | 13076 | 13031 | | 13276 | 13231 |
| 1000 | 15 | 13077 | | | 13277 | |
| | 5 | 13079 | 13032 | | 13279 | 13232 |
| | 10 | 13080 | 13033 | | 13280 | 13233 |

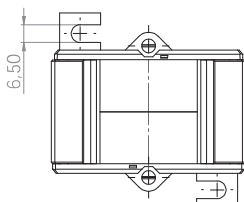
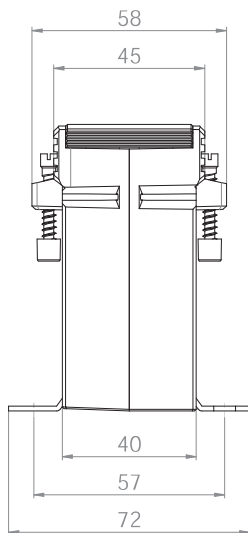
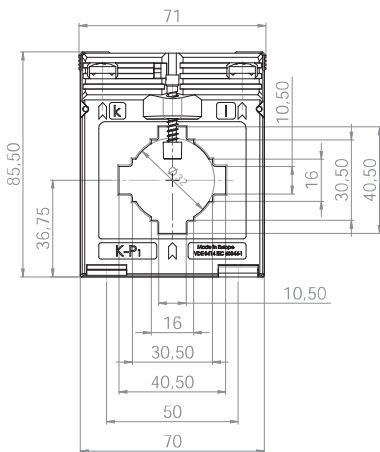
| | | Art.-no. |
|--|---------------------------------|--------------|
| | Snap-on mounting, type D | 55012 |
| | Sealed shutter, type B | 59041 |

ASK 41.4 2U

Plug-in current transformer, secondary reconnectable



| | |
|-------------------|---------------|
| Bus bar 1 | 40 x 10 mm |
| Bus bar 2 | 2 x 30 x 5 mm |
| Round conductor | 32 mm |
| Transformer width | 71 mm |
| Height | 85,5 mm |
| Depth | 58 mm |



| Primary current [A] | Burden [VA] | Secondary current [A] / Class | |
|---------------------|-------------|-------------------------------|--------------------------|
| | | 5 A Cl. 1 Art.-no. | 1 A Cl. 1 Art.-no. |
| 200-100 | 5-2,5 | 13133 | 13333 |
| | 10-5 | 13134 | 13334 |
| 300-150 | 5-2,5 | 13135 | 13335 |
| | 10-5 | 13136 | 13336 |
| 400-200 | 5-2,5 | 13137 | 13337 |
| | 10-5 | 13138 | 13338 |
| 500-250 | 5-2,5 | 13139 | 13339 |
| | 10-5 | 13140 | 13340 |
| 600-300 | 5-2,5 | 13141 | 13341 |
| | 10-5 | 13142 | 13342 |
| 800-400 | 5-2,5 | 13143 | 13343 |
| | 10-5 | 13144 | 13344 |
| | 15-7,5 | 13145 | 13345 |
| 1000-500 | 5-2,5 | 13146 | 13346 |
| | 10-5 | 13147 | 13347 |
| | 15-7,5 | | |

ASK 41.4 3U

Plug-in current transformer, secondary reconnectable

| Primary current [A] | Burden [VA] | Secondary current [A] / Class | |
|---------------------|-------------|-------------------------------|--------------------------|
| | | 5 A Cl. 1 Art.-no. | 1 A Cl. 1 Art.-no. |
| 400-200-100 | 10-5-2,5 | 13163 | 13363 |
| 600-300-150 | 10-5-2,5 | 13164 | 13364 |
| 800-400-200 | 10-5-2,5 | 13165 | 13365 |
| 1000-500-250 | 10-5-2,5 | 13166 | 13366 |
| | 15-7,5-2,5 | 13167 | 13367 |

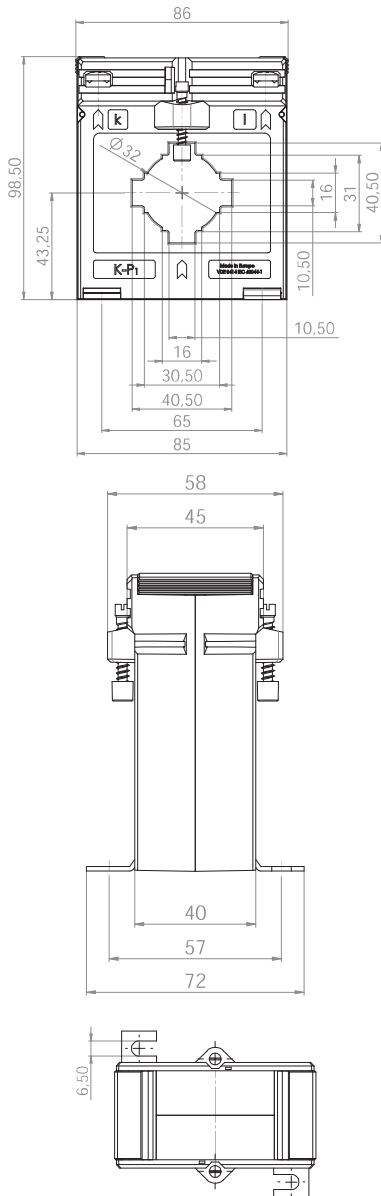
| | | Art.-no. |
|--|--------------------------|----------|
| | Snap-on mounting, type D | 55012 |
| | Sealed shutter, type B | 59041 |

ASK 541.4

Plug-in current transformer





| | |
|-------------------|---------------|
| Bus bar 1 | 40 x 10 mm |
| Bus bar 2 | 2 x 30 x 5 mm |
| Round conductor | 32 mm |
| Transformer width | 86 mm |
| Height | 98,5 mm |
| Depth | 58 mm |



| Primary current [A] | Burden [VA] | Secondary current [A] / Class | | | | |
|---------------------|-------------|-------------------------------|----------------------|-----------------------|--------------------|----------------------|
| | | 5 A Cl. 1 Art.-no. | 5 A Cl. 0,5 Art.-no. | 5 A Cl. 0,2s Art.-no. | 1 A Cl. 1 Art.-no. | 1 A Cl. 0,5 Art.-no. |
| 30 | 1 | 15340 | | | 15248 | |
| | 1,5 | 15048 | | | | |
| 40 | 1,5 | 15049 | | | 15249 | |
| 50 | 1,5 | 15051 | | | 15251 | |
| | 2,5 | 15053 | 15013 | | 15253 | 15213 |
| 60 | 1,5 | 15055 | 15014 | | 15255 | 15214 |
| | 2,5 | 15056 | 15100 | | 15256 | 15300 |
| 75 | 2,5 | 15057 | 15016 | | 15257 | 15216 |
| | 2,5 | 15114 | 15017 | | 15314 | 15217 |
| 100 | 5 | 15059 | | | 15259 | |
| | 2,5 | | 15019 | | | 15219 |
| 125 | 5 | 15061 | | | 15261 | |
| | 2,5 | 15063 | 15021 | | 15263 | 15221 |
| 150 | 5 | 15064 | | | 15264 | |
| | 10 | 15065 | | | 15265 | |
| 200 | 2,5 | | 15023 | V33-1704D | | 15223 |
| | 5 | 15066 | 15024 | V33-1704F | 15266 | 15224 |
| | 10 | 15067 | 15101 | | 15267 | 15301 |
| | 15 | 15068 | 15102 | | 15268 | 15302 |
| 250 | 2,5 | | 15025 | V33-1804D | | 15225 |
| | 5 | 15069 | 15026 | V33-1804F | 15269 | 15226 |
| | 10 | 15070 | 15103 | V33-1804H | 15270 | 15303 |
| 300 | 15 | 15071 | 15104 | | 15271 | 15304 |
| | 2,5 | | 15027 | V33-1904D | | 15227 |
| | 5 | 15072 | 15028 | V33-1904F | 15272 | 15228 |
| 400 | 10 | 15073 | 15029 | V33-1904H | 15273 | 15229 |
| | 15 | 15074 | 15105 | | 15274 | 15305 |
| | 2,5 | | 15030 | V33-2004D | | 15230 |
| | 5 | 15075 | 15031 | V33-2004F | 15275 | 15231 |
| 500 | 10 | 15076 | 15032 | V33-2004H | 15276 | 15232 |
| | 15 | 15077 | 15139 | | 15277 | 15339 |
| | 2,5 | | | V33-2104D | | |
| | 5 | 15098 | 15033 | V33-2104F | 15313 | 15233 |
| 600 | 10 | 15078 | 15034 | V33-2104H | 15278 | 15234 |
| | 15 | 15079 | 15035 | V33-2104J | 15279 | 15235 |
| | 30 | 15080 | | | 15280 | |
| | 2,5 | | | V33-2204D | | |
| | 5 | 15095 | 15036 | V33-2204F | 15293 | 15236 |
| 750 | 10 | 15081 | 15037 | V33-2204H | 15281 | 15237 |
| | 15 | 15082 | 15038 | V33-2204J | 15282 | 15238 |
| | 30 | 15083 | 15039 | | 15283 | 15239 |
| | 2,5 | | | V33-2304D | | |
| 750 | 5 | | | V33-2304F | | |
| | 10 | 15084 | 15040 | V33-2304H | 15284 | 15240 |
| | 15 | 15085 | 15041 | V33-2304J | 15285 | 15241 |
| | 30 | 15086 | 15042 | | 15286 | 15242 |

| Primary current [A] | Burden [VA] | Secondary current [A] / Class | | | | |
|---------------------|-------------|-------------------------------|----------------------|-----------------------|--------------------|----------------------|
| | | 5 A Cl. 1 Art.-no. | 5 A Cl. 0,5 Art.-no. | 5 A Cl. 0,2s Art.-no. | 1 A Cl. 1 Art.-no. | 1 A Cl. 0,5 Art.-no. |
| 800 | 10 | 15087 | 15043 | | 15287 | 15243 |
| | 15 | 15088 | 15044 | | 15288 | 15244 |
| | 30 | 15089 | 15106 | | 15289 | 15306 |
| 1000 | 2,5 | | | V33-2504D | | |
| | 5 | | 15045 | V33-2504F | | 15245 |
| | 10 | 15090 | 15046 | V33-2504H | 15290 | 15246 |
| | 15 | 15091 | 15047 | V33-2504J | 15291 | 15247 |
| | 30 | 15092 | 15012 | | 15292 | |

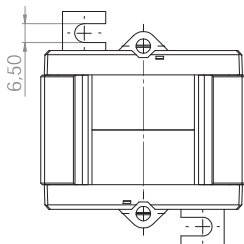
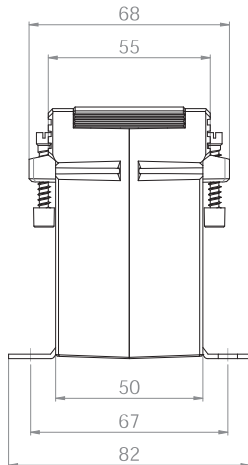
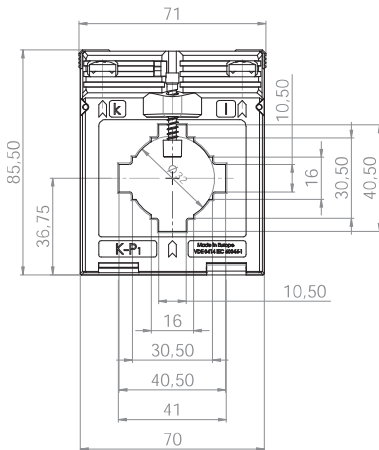
| | | Art.-no. |
|---|-------------------------------|--------------|
|  | Snap-on mounting | - |
|  | Sealed shutter, type C | 59042 |

ASK 41.5

Plug-in current transformer



Bus bar 1 40 x 10 mm
 Bus bar 2 2 x 30 x 5 mm
 Round conductor 32 mm
 Transformer width 71 mm
 Height 85,5 mm
 Depth 68 mm



| Primary current [A] | Burden [VA] | Secondary current [A] / Class | | | | |
|---------------------|-------------|-------------------------------|----------------------------|--------------------------|----------------------------|--|
| | | 5 A Cl. 1 Art.-no. | 5 A Cl. 0,5 Art.-no. | 1 A Cl. 1 Art.-no. | 1 A Cl. 0,5 Art.-no. | |
| 60 | 1,5 | 1010006002 | | 1010206002 | | |
| 75 | 1,5 | 1010006004 | 1010005001 | 1010206004 | 1010205001 | |
| | 2,5 | 1010006005 | 1010005002 | 1010206005 | 1010205002 | |
| 80 | 1,5 | 1010006006 | 1010005003 | 1010206006 | 1010205003 | |
| | 2,5 | 1010006007 | 1010005004 | 1010206007 | 1010205004 | |
| 100 | 1,5 | 1010006008 | 1010005005 | 1010206008 | 1010205005 | |
| | 2,5 | 1010006009 | 1010005006 | 1010206009 | 1010205006 | |
| | 3,75 | 1010006046 | | 1010206010 | | |
| 150 | 2,5 | 1010006010 | 1010005007 | 1010206011 | 1010205007 | |
| | 5 | 1010006011 | | 1010206012 | | |
| | 7,5 | 1010006012 | | 1010206013 | | |
| 200 | 2,5 | 1010006013 | 1010005010 | 1010206014 | 1010205010 | |
| | 5 | 1010006014 | 1010005011 | 1010206015 | 1010205011 | |
| | 10 | 1010006048 | | 1010206016 | | |
| 250 | 2,5 | 1010006015 | 1010005012 | 1010206017 | 1010205013 | |
| | 5 | 1010006016 | 1010005013 | 1010206018 | 1010205014 | |
| | 10 | 1010006017 | 1010005014 | 1010206019 | 1010205015 | |
| | 15 | 1010006047 | | 1010206020 | | |
| 300 | 2,5 | 1010006018 | 1010005015 | 1010206021 | 1010205017 | |
| | 5 | 1010006019 | 1010005016 | 1010206022 | 1010205018 | |
| | 10 | 1010006020 | 1010005017 | 1010206023 | 1010205019 | |
| 400 | 15 | 1010006021 | | 1010206024 | | |
| | 2,5 | 1010006022 | 1010005019 | 1010206025 | 1010205021 | |
| | 5 | 1010006023 | 1010005020 | 1010206026 | 1010205022 | |
| | 10 | 1010006024 | 1010005021 | 1010206027 | 1010205023 | |
| 500 | 15 | 1010006025 | 1010005022 | 1010206028 | 1010205024 | |
| | 2,5 | 1010006026 | 1010005023 | 1010206029 | 1010205025 | |
| | 5 | 1010006027 | 1010005024 | 1010206030 | 1010205026 | |
| | 10 | 1010006028 | 1010005025 | 1010206031 | 1010205027 | |
| 600 | 15 | 1010006029 | 1010005026 | 1010206032 | 1010205028 | |
| | 2,5 | 1010006030 | 1010005027 | 1010206033 | 1010205029 | |
| | 5 | 1010006031 | 1010005028 | 1010206034 | 1010205030 | |
| | 10 | 1010006032 | 1010005029 | 1010206035 | 1010205031 | |
| 750 | 15 | 1010006033 | 1010005030 | 1010206036 | 1010205032 | |
| | 2,5 | 1010006034 | 1010005031 | 1010206037 | 1010205033 | |
| | 5 | 1010006035 | 1010005032 | 1010206038 | 1010205034 | |
| | 10 | 1010006036 | 1010005033 | 1010206039 | 1010205035 | |
| 800 | 15 | 1010006037 | 1010005034 | 1010206040 | 1010205036 | |
| | 2,5 | 1010006038 | 1010005035 | 1010206041 | 1010205037 | |
| | 5 | 1010006039 | 1010005036 | 1010206042 | 1010205038 | |
| | 10 | 1010006040 | 1010005037 | 1010206043 | 1010205039 | |
| 1000 | 15 | 1010006041 | | 1010206044 | | |
| | 2,5 | 1010006042 | 1010005039 | 1010206045 | 1010205041 | |
| | 5 | 1010006043 | 1010005040 | 1010206046 | 1010205042 | |
| | 10 | 1010006044 | 1010005041 | 1010206047 | 1010205043 | |
| | | 15 | 1010006045 | | 1010206048 | |

| | | Art.-no. |
|--|---------------------------------|--------------|
| | Snap-on mounting, type C | 55011 |
| | Sealed shutter, type B | 59041 |

MBS AG

Eisbachstraße 51 - 74429 Sulzbach-Laufen
Germany

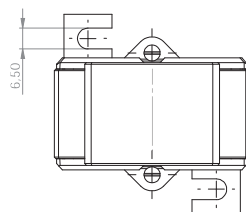
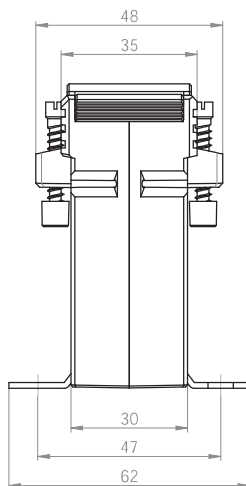
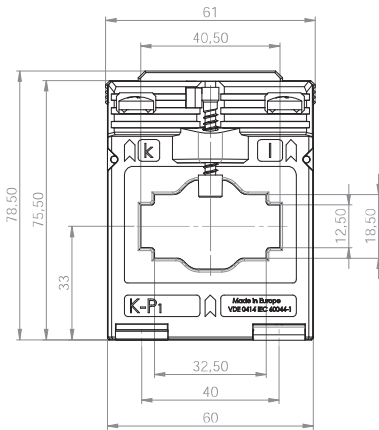
Telefon: +49 7976 9851-0 - Telefax: +49 7976 9851-90
E-Mail: info@mbs-ag.com - Web: www.mbs-ag.com

ASK 41.3

Plug-in current transformer



| | |
|-------------------|------------|
| Bus bar 1 | 40 x 12 mm |
| Bus bar 2 | 32 x 18 mm |
| Round conductor | 26 mm |
| Transformer width | 61 mm |
| Height | 75,5 mm |
| Depth | 48 mm |



| Primary current [A] | Burden [VA] | Secondary current [A] / Class | |
|---------------------|-------------|-------------------------------|--------------------------|
| | | 5 A Cl. 1 Art.-no. | 1 A Cl. 1 Art.-no. |
| 100 | 1 | 11037 | 11237 |
| | 1,5 | 11038 | 11238 |
| 150 | 1,5 | 11039 | 11239 |
| | 2,5 | 11040 | 11240 |
| 200 | 1,5 | 11041 | 11241 |
| | 2,5 | 11042 | 11242 |
| 250 | 1,5 | 11043 | 11243 |
| | 2,5 | 11044 | 11244 |
| 300 | 1,5 | 11046 | 11246 |
| | 2,5 | 11047 | 11247 |
| | 5 | 11048 | 11248 |
| 400 | 1,5 | 11049 | |
| | 2,5 | 11050 | |
| | 5 | 11051 | |
| 500 | 1,5 | 11052 | |
| | 2,5 | 11053 | |
| | 5 | 11054 | |
| 600 | 1,5 | 11056 | |
| | 2,5 | 11057 | |
| | 5 | 11058 | |
| 750 | 2,5 | 11060 | |
| | 5 | 11061 | |
| | 10 | 11062 | |

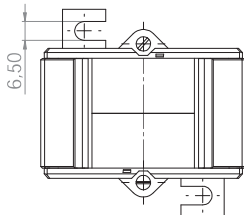
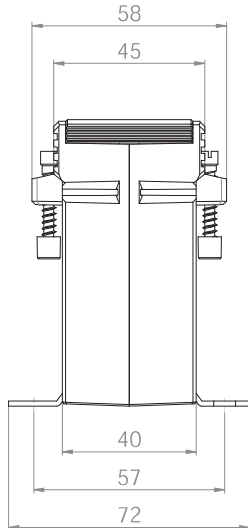
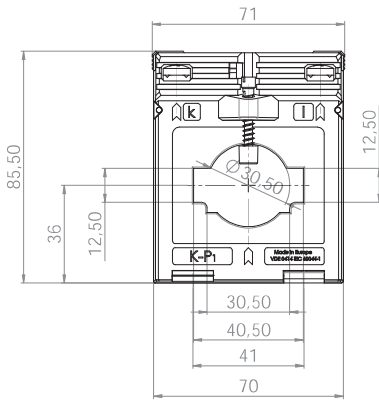
| | | Art.-no. |
|--|---------------------------------|--------------|
| | Snap-on mounting, type A | 53011 |
| | Sealed shutter, type A | 59040 |

ASK 412.4

Plug-in current transformer



| | |
|-------------------|------------|
| Bus bar 1 | 40 x 12 mm |
| Bus bar 2 | 30 x 15 mm |
| Round conductor | 30,5 mm |
| Transformer width | 71 mm |
| Height | 85,5 mm |
| Depth | 58 mm |



| Primary current [A] | Burden [VA] | Secondary current [A] / Class | | | |
|---------------------|-------------|-------------------------------|----------------------------|--------------------------|----------------------------|
| | | 5 A Cl. 1 Art.-no. | 5 A Cl. 0,5 Art.-no. | 1 A Cl. 1 Art.-no. | 1 A Cl. 0,5 Art.-no. |
| 50 | 1,25 | 28036 | | 28236 | |
| | 1,5 | 28037 | | 28237 | |
| 60 | 1,25 | 28038 | | 28238 | |
| | 1,5 | 28039 | | 28239 | |
| 75 | 1,5 | 28040 | | 28240 | |
| | 2,5 | 28041 | | 28241 | |
| 80 | 1,5 | 28042 | | 28242 | |
| | 2,5 | 28043 | | 28243 | |
| 100 | 1,5 | 28044 | 28011 | 28244 | 28211 |
| | 2,5 | 28045 | | 28245 | |
| | 3,75 | 28046 | | 28246 | |
| 150 | 1,5 | 28047 | 28012 | 28247 | 28212 |
| | 2,5 | 28048 | 28013 | 28248 | 28213 |
| | 5 | 28049 | | 28249 | |
| 200 | 2,5 | 28051 | 28015 | 28251 | 28215 |
| | 5 | 28052 | 28098 | 28252 | 28298 |
| | 7,5 | 28086 | | 28286 | |
| | 10 | 28053 | | | |
| 250 | 1,5 | 28054 | 28016 | 28254 | 28216 |
| | 2,5 | 28055 | 28017 | 28255 | 28217 |
| | 5 | 28056 | 28014 | 28256 | 28214 |
| | 10 | 28057 | | 28257 | |
| 300 | 2,5 | 28058 | 28018 | 28258 | 28218 |
| | 5 | 28059 | 28019 | 28259 | 28219 |
| | 10 | 28060 | | 28260 | |
| | 15 | 28061 | | 28261 | |
| 400 | 2,5 | 28062 | 28020 | 28262 | 28220 |
| | 5 | 28063 | 28021 | 28263 | 28221 |
| | 10 | 28064 | 28009 | 28264 | 28209 |
| | 15 | 28065 | | 28265 | |
| 500 | 2,5 | 28066 | 28022 | 28266 | 28222 |
| | 5 | 28067 | 28023 | 28267 | 28223 |
| | 10 | 28068 | 28024 | 28268 | 28224 |
| | 15 | 28069 | | 28269 | |
| 600 | 2,5 | 28070 | 28025 | 28270 | 28225 |
| | 5 | 28071 | 28026 | 28271 | 28226 |
| | 10 | 28072 | 28027 | 28272 | 28227 |
| | 15 | 28073 | | 28273 | |
| 750 | 5 | 28074 | 28028 | 28274 | 28228 |
| | 10 | 28075 | 28029 | 28275 | 28229 |
| | 15 | 28076 | 28010 | 28276 | 28210 |
| 800 | 5 | 28078 | 28030 | 28278 | 28230 |
| | 10 | 28079 | 28031 | 28279 | 28231 |
| | 15 | 28080 | 28035 | 28280 | 28235 |

| | | Art.-no. |
|--|---------------------------------|--------------|
| | Snap-on mounting, type D | 55012 |
| | Sealed shutter, type B | 59041 |

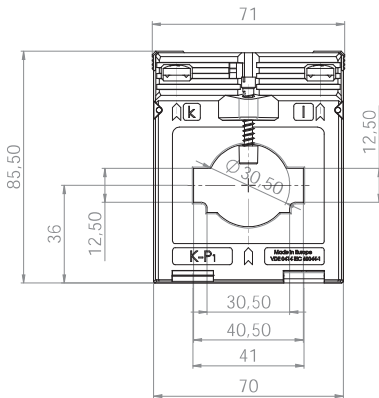
ASK 412.4 2U

Plug-in current transformer, secondary reconnectable



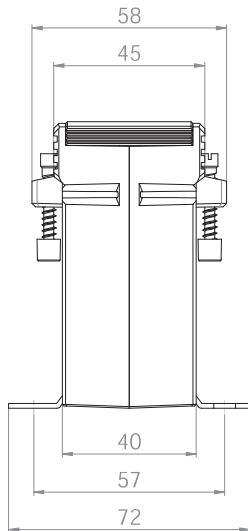
| | |
|-------------------|------------|
| Bus bar 1 | 40 x 12 mm |
| Bus bar 2 | 30 x 15 mm |
| Round conductor | 30,5 mm |
| Transformer width | 71 mm |
| Height | 85,5 mm |
| Depth | 58 mm |

| Primary current [A] | Burden [VA] | Secondary current [A] / Class | |
|---------------------|-------------|-------------------------------|--------------------------|
| | | 5 A Cl. 1 Art.-no. | 1 A Cl. 1 Art.-no. |
| 200-100 | 5-2,5 | 28133 | 28333 |
| | 10-5 | 28134 | 28334 |
| 300-150 | 5-2,5 | 28135 | 28335 |
| | 10-5 | 28136 | 28336 |
| 400-200 | 5-2,5 | 28137 | 28337 |
| | 10-5 | 28138 | 28338 |
| 500-250 | 5-2,5 | 28139 | 28339 |
| | 10-5 | 28140 | 28340 |
| 600-300 | 5-2,5 | 28141 | 28341 |
| | 10-5 | 28143 | 28343 |
| 800-400 | 5-2,5 | 28144 | 28344 |
| | 15-7,5 | 28145 | 28345 |



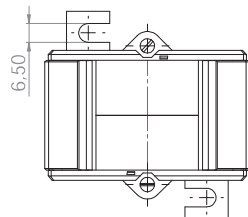
ASK 412.4 3U

Plug-in current transformer, secondary reconnectable



| Primary current [A] | Burden [VA] | Secondary current [A] / Class | |
|---------------------|-------------|-------------------------------|--------------------------|
| | | 5 A Cl. 1 Art.-no. | 1 A Cl. 1 Art.-no. |
| 400-200-100 | 10-5-2,5 | 28163 | 28363 |
| 600-300-150 | 10-5-2,5 | 28164 | 28364 |
| 800-400-200 | 10-5-2,5 | 28165 | 28365 |

| | | Art.-no. |
|--|---------------------------------|--------------|
| | Snap-on mounting, type D | 55012 |
| | Sealed shutter, type B | 59041 |

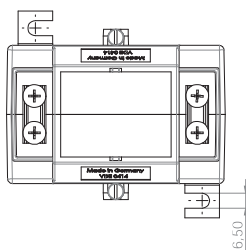
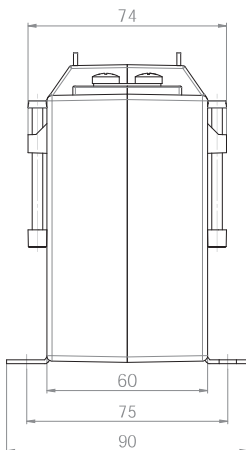
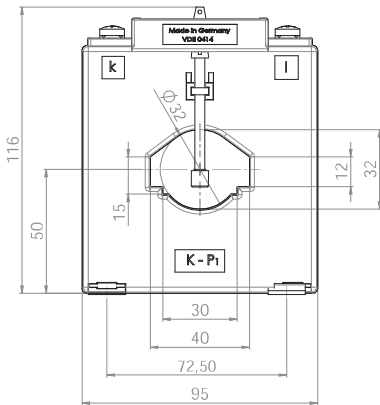


ASK 41.6

Plug-in current transformer



Bus bar 1 40 x 12 mm
 Bus bar 2 30 x 15 mm
 Round conductor 32 mm
 Transformer width 95 mm
 Height 116 mm
 Depth 74 mm



| Primary current [A] | Burden [VA] | Secondary current [A] / Class | | | |
|---------------------|-------------|-------------------------------|----------------------------|--------------------------|----------------------------|
| | | 5 A Cl. 1 Art.-no. | 5 A Cl. 0,5 Art.-no. | 1 A Cl. 1 Art.-no. | 1 A Cl. 0,5 Art.-no. |
| 50 | 1,5 | 14060 | 14011 | 14260 | 14211 |
| | 2,5 | 14062 | 14012 | 14262 | 14212 |
| 60 | 1,5 | 14063 | | 14263 | |
| | 2,5 | 14064 | | 14264 | |
| 75 | 1,5 | 14065 | 14013 | 14265 | 14213 |
| | 3,75 | 14134 | | 14334 | |
| 80 | 2,5 | 14067 | 14015 | 14267 | 14215 |
| | 3,75 | 14135 | | 14335 | |
| 100 | 2,5 | 14069 | 14017 | 14269 | 14217 |
| | 5 | 14070 | 14018 | 14270 | 14218 |
| | 7,5 | 14136 | | 14336 | |
| 150 | 5 | 14072 | 14021 | 14272 | 14221 |
| | 10 | 14073 | | 14273 | |
| | 15 | 14074 | | 14274 | |
| 200 | 5 | 14075 | 14025 | 14275 | 14225 |
| | 10 | 14076 | 14026 | 14276 | 14226 |
| | 15 | 14077 | | 14277 | |
| 250 | 5 | 14078 | 14029 | 14278 | 14229 |
| | 10 | 14079 | 14030 | 14279 | 14230 |
| | 15 | 14080 | 14031 | 14280 | 14231 |
| 300 | 5 | 14081 | 14033 | 14281 | 14233 |
| | 10 | 14082 | 14034 | 14282 | 14234 |
| | 15 | 14083 | 14035 | 14283 | 14235 |
| 400 | 5 | 14084 | 14037 | 14284 | 14237 |
| | 10 | 14085 | 14038 | 14285 | 14238 |
| | 15 | 14086 | 14039 | 14286 | 14239 |
| 500 | 5 | 14087 | 14041 | 14287 | 14241 |
| | 10 | 14088 | 14042 | 14288 | 14242 |
| | 15 | 14089 | 14043 | 14289 | 14243 |
| | 30 | 14137 | | 14337 | |
| 600 | 10 | 14090 | 14045 | 14290 | 14245 |
| | 15 | 14091 | 14046 | 14291 | 14246 |
| | 30 | 14092 | 14047 | 14292 | 14247 |
| 750 | 10 | 14094 | 14049 | 14294 | 14249 |
| | 15 | 14095 | 14050 | 14295 | 14250 |
| | 30 | 14096 | 14051 | 14296 | 14251 |
| 800 | 10 | 14098 | 14053 | 14298 | 14253 |
| | 15 | 14099 | 14054 | 14299 | 14254 |
| | 30 | 14100 | 14055 | 14300 | 14255 |
| 1000 | 10 | 14102 | 14057 | 14302 | 14257 |
| | 15 | 14103 | 14058 | 14303 | 14258 |
| | 30 | 14104 | 14059 | 14304 | 14259 |

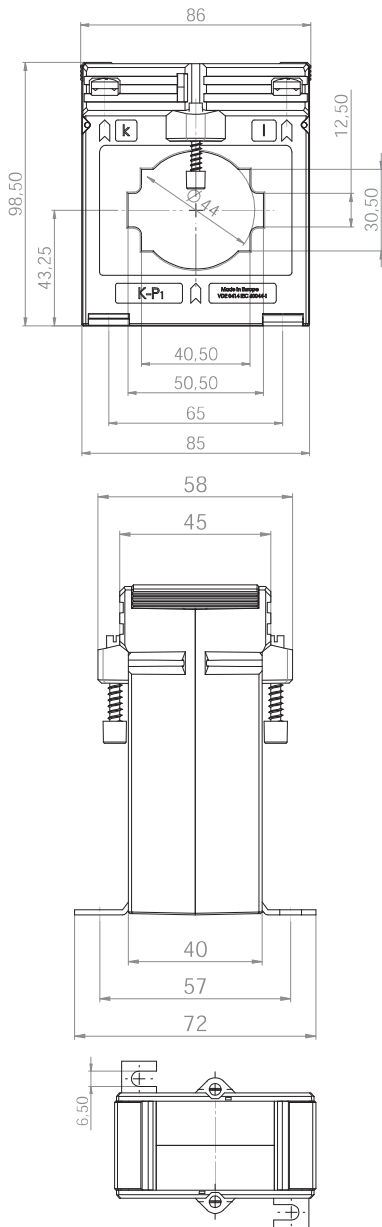
| | | Art.-no. |
|--|-------------------------------|--------------|
| | Snap-on mounting | - |
| | Sealed shutter, type E | 59044 |

ASK 51.4

Plug-in current transformer



Bus bar 1 50 x 12 mm
 Bus bar 2 2 x 40 x 10 mm
 Round conductor 44 mm
 Transformer width 86 mm
 Height 98,5 mm
 Depth 58 mm



| Primary current [A] | Burden [VA] | Secondary current [A] / Class | | | | |
|---------------------|-------------|-------------------------------|----------------------|-----------------------|--------------------|----------------------|
| | | 5 A Cl. 1 Art.-no. | 5 A Cl. 0,5 Art.-no. | 5 A Cl. 0,2s Art.-no. | 1 A Cl. 1 Art.-no. | 1 A Cl. 0,5 Art.-no. |
| 100 | 1,5 | 16043 | | | 16243 | |
| 150 | 1,5 | 16044 | 16011 | | 16244 | 16211 |
| | 2,5 | 16045 | 16010 | | 16245 | 16210 |
| 200 | 1,5 | | 16012 | V34-1704C | | 16212 |
| | 2,5 | 16046 | 16013 | V34-1704D | 16246 | 16213 |
| | 5 | 16047 | 16152 | V34-1704F | 16247 | 16352 |
| 250 | 1,5 | | 16014 | | | 16214 |
| | 2,5 | 16048 | 16015 | V34-1804D | 16248 | 16215 |
| | 5 | 16049 | 16153 | V34-1804F | 16249 | 16353 |
| 300 | 10 | 16177 | | | 16390 | |
| | 2,5 | 16050 | 16017 | V34-1904D | 16250 | 16217 |
| | 5 | 16051 | 16018 | V34-1904F | 16251 | 16218 |
| 400 | 10 | 16052 | | | 16252 | |
| | 2,5 | 16053 | 16019 | V34-2004D | 16253 | 16219 |
| | 5 | 16054 | 16020 | V34-2004F | 16254 | 16220 |
| | 10 | 16055 | 16021 | V34-2004H | 16255 | 16221 |
| 500 | 15 | | | | 16256 | |
| | 2,5 | 16057 | 16022 | V34-2104D | 16257 | 16222 |
| | 5 | 16058 | 16023 | V34-2104F | 16258 | 16223 |
| | 10 | 16059 | 16024 | V34-2104H | 16259 | 16224 |
| 600 | 15 | 16060 | 16202 | | 16260 | |
| | 2,5 | 16061 | 16025 | V34-2204D | 16261 | 16225 |
| | 5 | 16062 | 16026 | V34-2204F | 16262 | 16226 |
| 750 | 10 | 16063 | 16027 | V34-2204H | 16263 | 16227 |
| | 15 | 16064 | 16154 | | 16264 | 16354 |
| | 2,5 | 16065 | 16028 | V34-2304D | 16265 | 16228 |
| | 5 | 16066 | 16029 | V34-2304F | 16266 | 16229 |
| 800 | 10 | 16067 | 16030 | V34-2304H | 16267 | 16230 |
| | 15 | 16068 | 16203 | | 16268 | 16355 |
| | 5 | 16069 | 16031 | V34-2404F | 16269 | 16231 |
| 1000 | 10 | 16070 | 16032 | V34-2404H | 16270 | 16232 |
| | 15 | 16071 | 16033 | | 16271 | 16233 |
| | 2,5 | | | V34-2504D | | |
| 1200 | 5 | 16073 | 16034 | V34-2504F | 16273 | 16234 |
| | 10 | 16074 | 16035 | V34-2504H | 16274 | 16235 |
| | 15 | 16075 | 16036 | V34-2504J | 16275 | 16236 |
| 1250 | 5 | 16077 | 16037 | | 16277 | 16237 |
| | 10 | 16078 | 16038 | | 16278 | 16238 |
| | 15 | 16079 | 16039 | | 16279 | 16239 |
| 1250 | 30 | 16080 | | | 16280 | |
| | 5 | 16081 | 16040 | | 16281 | 16240 |
| | 10 | 16082 | 16041 | | 16282 | 16241 |
| | 15 | 16083 | 16042 | | 16283 | 16242 |
| | 30 | 16084 | | | 16284 | |

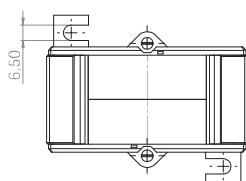
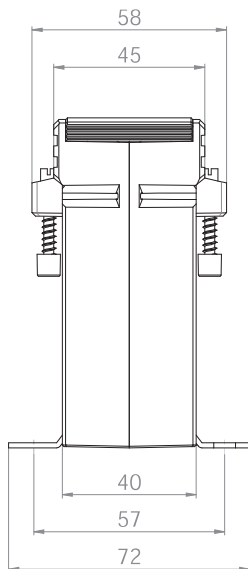
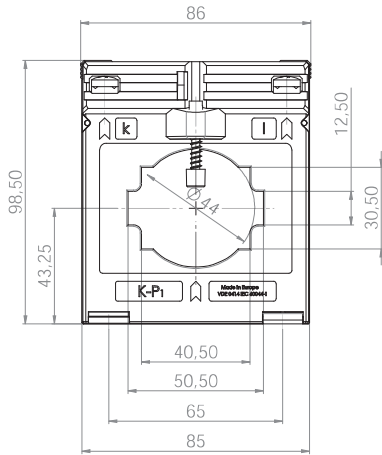
| | | Art.-no. |
|--|-------------------------------|--------------|
| | Snap-on mounting | - |
| | Sealed shutter, type C | 59042 |

ASK 51.4 2U

Plug-in current transformer, secondary reconnectable



| | |
|-------------------|----------------|
| Bus bar 1 | 50 x 12 mm |
| Bus bar 2 | 2 x 40 x 10 mm |
| Round conductor | 44 mm |
| Transformer width | 86 mm |
| Height | 98,5 mm |
| Depth | 58 mm |



| Primary current [A] | Burden [VA] | Secondary current [A] / Class | |
|---------------------|-------------|-------------------------------|--------------------------|
| | | 5 A Cl. 1 Art.-no. | 1 A Cl. 1 Art.-no. |
| 400-200 | 5-2,5 | 16130 | 16330 |
| | 10-5 | 16131 | 16331 |
| 500-250 | 5-2,5 | 16132 | 16332 |
| | 10-5 | 16133 | 16333 |
| 600-300 | 5-2,5 | 16134 | 16334 |
| | 10-5 | 16135 | 16335 |
| 800-400 | 5-2,5 | 16136 | 16336 |
| | 10-5 | 16137 | 16337 |
| | 15-7,5 | 16138 | 16338 |
| 1000-500 | 5-2,5 | 16139 | 16339 |
| | 10-5 | 16140 | 16340 |
| | 15-7,5 | 16141 | 16341 |
| 1200-600 | 5-2,5 | 16142 | 16342 |
| | 10-5 | 16143 | 16343 |
| | 15-7,5 | 16144 | 16344 |
| | 30-15 | 16145 | 16345 |

ASK 51.4 3U

Plug-in current transformer, secondary reconnectable

| Primary current [A] | Burden [VA] | Secondary current [A] / Class | |
|---------------------|-------------|-------------------------------|--------------------------|
| | | 5 A Cl. 1 Art.-no. | 1 A Cl. 1 Art.-no. |
| 600-400-200 | 15-7,5-5 | 16178 | 16378 |
| 800-400-200 | 10-5-2,5 | 16162 | 16362 |
| 1000-500-250 | 10-5-2,5 | 16163 | 16363 |
| | 15-7,5-2,5 | 16164 | 16364 |
| 1000-600-300 | 10-5-2,5 | 16180 | 16380 |
| | 15-10-5 | 16176 | 16376 |
| 1000-600-400 | 10-5-2,5 | 16175 | 16375 |
| 1000-800-600 | 15-10-5 | 16179 | 16379 |
| 1200-600-300 | 10-5-2,5 | 16165 | 16365 |
| | 15-7,5-2,5 | 16166 | 16366 |
| 1200-1000-300 | 7,5-5-2,5 | 16174 | 16374 |

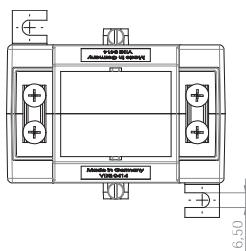
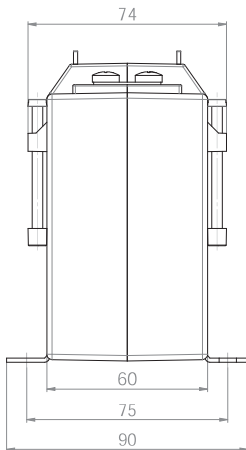
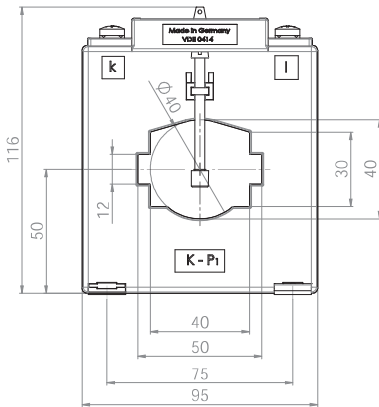
| | | Art.-no. |
|--|-------------------------------|--------------|
| | Snap-on mounting | - |
| | Sealed shutter, type C | 59042 |

ASK 51.6

Plug-in current transformer



Bus bar 1 50 x 12 mm
 Bus bar 2 40 x 30 mm
 Round conductor 40 mm
 Transformer width 95 mm
 Height 116 mm
 Depth 74 mm



| Primary current [A] | Burden [VA] | Secondary current [A] / Class | | | |
|---------------------|-------------|-------------------------------|----------------------------|--------------------------|----------------------------|
| | | 5 A Cl. 1 Art.-no. | 5 A Cl. 0,5 Art.-no. | 1 A Cl. 1 Art.-no. | 1 A Cl. 0,5 Art.-no. |
| 100 | 2,5 | 17058 | | 17258 | |
| | 5 | 17059 | | 17259 | |
| 150 | 2,5 | 17060 | 17013 | 17260 | 17213 |
| | 5 | 17061 | 17014 | 17261 | 17214 |
| | 10 | 17062 | | 17262 | |
| 200 | 2,5 | 17063 | 17016 | 17263 | 17216 |
| | 5 | 17064 | 17017 | 17264 | 17217 |
| | 10 | 17065 | 17018 | 17265 | 17218 |
| 250 | 2,5 | 17066 | 17019 | 17266 | 17219 |
| | 5 | 17067 | 17020 | 17267 | 17220 |
| | 10 | 17068 | 17021 | 17268 | 17221 |
| | 15 | 17069 | 17022 | 17269 | 17222 |
| 300 | 5 | 17070 | 17024 | 17270 | 17224 |
| | 10 | 17071 | 17025 | 17271 | 17225 |
| | 15 | 17072 | 17026 | 17272 | 17226 |
| | 30 | 17073 | | 17273 | |
| 400 | 5 | 17074 | 17028 | 17274 | 17228 |
| | 10 | 17075 | 17029 | 17275 | 17229 |
| | 15 | 17076 | 17030 | 17276 | 17230 |
| | 30 | 17077 | | 17277 | |
| 500 | 5 | 17078 | 17032 | 17278 | 17232 |
| | 10 | 17079 | 17033 | 17279 | 17233 |
| | 15 | 17080 | 17034 | 17280 | 17234 |
| | 30 | 17081 | | 17281 | |
| 600 | 5 | 17082 | 17036 | 17282 | 17236 |
| | 10 | 17083 | 17037 | 17283 | 17237 |
| | 15 | 17084 | 17038 | 17284 | 17238 |
| | 30 | 17085 | | 17285 | |
| 750 | 5 | 17086 | 17040 | 17286 | 17240 |
| | 10 | 17087 | 17041 | 17287 | 17241 |
| | 15 | 17088 | 17042 | 17288 | 17242 |
| | 30 | 17089 | | 17289 | |
| 800 | 10 | 17090 | 17044 | 17290 | 17244 |
| | 15 | 17091 | 17045 | 17291 | 17245 |
| | 30 | 17092 | | 17292 | |
| | 45 | 17093 | | 17293 | |
| 1000 | 10 | 17094 | 17047 | 17294 | 17247 |
| | 15 | 17095 | 17048 | 17295 | 17248 |
| | 30 | 17096 | 17049 | 17296 | 17249 |
| | 45 | 17097 | | 17297 | |
| 1200 | 10 | 17098 | 17051 | 17298 | 17251 |
| | 15 | 17099 | 17052 | 17299 | 17252 |
| | 30 | 17100 | 17053 | 17300 | 17253 |
| | 45 | 17101 | | 17301 | |
| 1250 | 10 | 17102 | 17055 | 17302 | 17255 |
| | 15 | 17103 | 17056 | 17303 | 17256 |
| | 30 | 17104 | 17057 | 17304 | 17257 |
| | 45 | 17105 | | 17305 | |

| | | Art.-no. |
|--|------------------------|----------|
| | Snap-on mounting | - |
| | Sealed shutter, type E | 59044 |

MBS AG

Eisbachstraße 51 - 74429 Sulzbach-Laufen
Germany

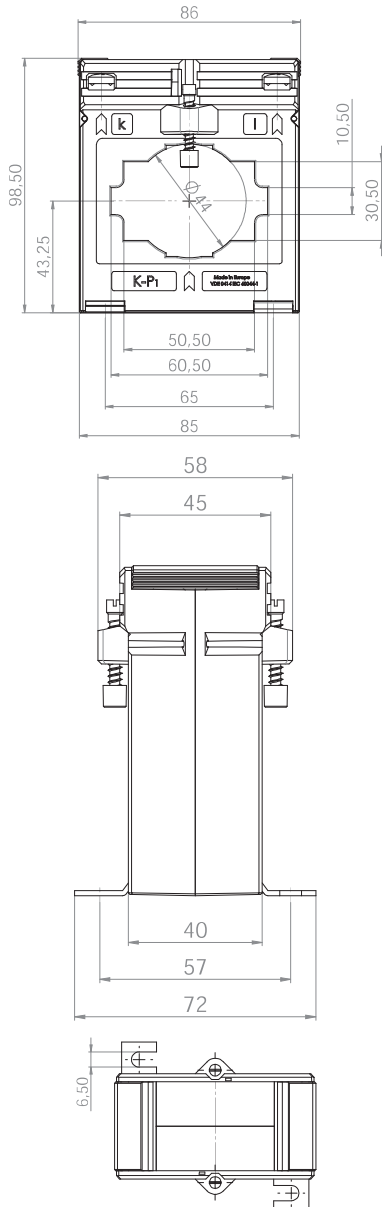
Telefon: +49 7976 9851-0 - Telefax: +49 7976 9851-90
E-Mail: info@mbs-ag.com - Web: www.mbs-ag.com

ASK 561.4

Plug-in current transformer



| | |
|-------------------|----------------|
| Bus bar 1 | 60 x 10 mm |
| Bus bar 2 | 30 x 40 mm |
| Bus bar 3 | 2 x 50 x 10 mm |
| Round conductor | 44 mm |
| Transformer width | 86 mm |
| Height | 98,5 mm |
| Depth | 58 mm |



| Primary current [A] | Burden [VA] | Secondary current [A] / Class | | | |
|---------------------|-------------|-------------------------------|----------------------|--------------------|----------------------|
| | | 5 A Cl. 1 Art.-no. | 5 A Cl. 0,5 Art.-no. | 1 A Cl. 1 Art.-no. | 1 A Cl. 0,5 Art.-no. |
| 200 | 2,5 | 18036 | | 18236 | |
| 250 | 2,5 | 18037 | | 18237 | |
| | 5 | 18038 | | 18238 | |
| 300 | 2,5 | 18039 | 18012 | 18239 | 18212 |
| | 5 | 18040 | | 18240 | |
| 400 | 2,5 | 18042 | 18014 | 18242 | 18214 |
| | 5 | 18043 | 18015 | 18243 | 18215 |
| | 10 | 18044 | | 18244 | |
| 500 | 2,5 | | 18016 | | 18216 |
| | 5 | 18045 | 18017 | 18245 | 18217 |
| | 10 | 18046 | | 18246 | |
| | 15 | 18047 | | 18247 | |
| 600 | 2,5 | | 18018 | | 18218 |
| | 5 | 18048 | 18019 | 18248 | 18219 |
| | 10 | 18049 | 18020 | 18249 | 18220 |
| | 15 | 18050 | | 18250 | |
| 750 | 2,5 | | 18021 | | 18221 |
| | 5 | 18051 | 18022 | 18251 | 18222 |
| | 10 | 18052 | 18023 | 18252 | 18223 |
| 800 | 15 | 18053 | | 18253 | |
| | 5 | 18097 | 18024 | 18297 | 18224 |
| | 10 | 18054 | 18025 | 18254 | 18225 |
| 1000 | 15 | 18055 | 18026 | 18255 | 18226 |
| | 5 | 18104 | 18027 | 18304 | 18227 |
| | 10 | 18057 | 18028 | 18257 | 18228 |
| 1200 | 15 | 18058 | 18029 | 18258 | 18229 |
| | 30 | 18059 | | 18259 | |
| | 5 | 18100 | 18030 | 18267 | 18230 |
| 1250 | 10 | 18060 | 18031 | 18260 | 18231 |
| | 15 | 18061 | 18032 | 18261 | 18232 |
| | 30 | 18062 | | 18262 | |
| 1250 | 5 | 18102 | 18033 | 18302 | 18233 |
| | 10 | 18063 | 18034 | 18263 | 18234 |
| | 15 | 18064 | 18035 | 18264 | 18235 |

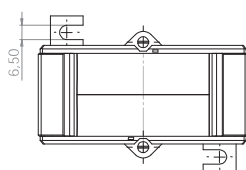
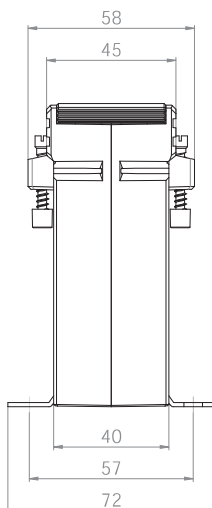
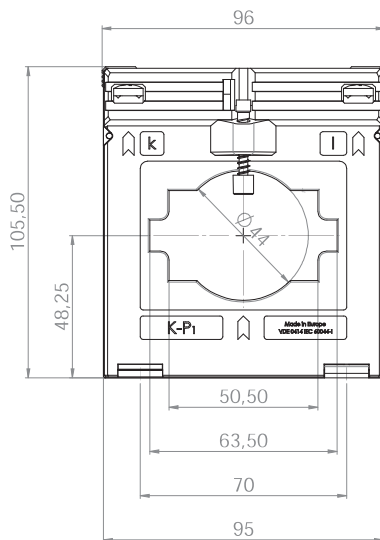
| | | Art.-no. |
|--|-------------------------------|--------------|
| | Snap-on mounting | - |
| | Sealed shutter, type C | 59042 |

ASK 61.4

Plug-in current transformer





Bus bar 1 63 x 10 mm
 Bus bar 2 2 x 50 x 10 mm
 Round conductor 44 mm
 Transformer width 96 mm
 Height 105,5 mm
 Depth 58 mm



| Primary current [A] | Burden [VA] | Secondary current [A] / Class | | | | |
|---------------------|-------------|-------------------------------|----------------------|-----------------------|--------------------|----------------------|
| | | 5 A Cl. 1 Art.-no. | 5 A Cl. 0,5 Art.-no. | 5 A Cl. 0,2s Art.-no. | 1 A Cl. 1 Art.-no. | 1 A Cl. 0,5 Art.-no. |
| 200 | 1,5 | 19047 | 19009 | | 19247 | 19209 |
| | 2,5 | 19048 | 19010 | | 19248 | 19210 |
| 250 | 1,5 | 19049 | 19011 | V41-1804C | 19249 | 19211 |
| | 2,5 | 19050 | 19012 | V41-1804D | 19250 | 19212 |
| | 5 | 19111 | | | 19175 | |
| 300 | 1,5 | 19051 | 19013 | | 19251 | 19213 |
| | 2,5 | 19052 | 19014 | V41-1904D | 19252 | 19214 |
| | 5 | 19053 | 19015 | V41-1904F | 19253 | 19215 |
| 400 | 1,5 | 19054 | 19016 | | 19254 | 19216 |
| | 2,5 | 19055 | 19017 | V41-2004D | 19255 | 19217 |
| | 5 | 19056 | 19018 | V41-2004F | 19256 | 19218 |
| | 10 | 19057 | 19094 | V41-2004H | 19257 | 19294 |
| 500 | 1,5 | | 19019 | | | 19219 |
| | 2,5 | 19058 | 19020 | V41-2104D | 19258 | 19220 |
| | 5 | 19059 | 19021 | V41-2104F | 19259 | 19221 |
| | 10 | 19060 | 19095 | V41-2104H | 19260 | 19295 |
| | 15 | 19061 | | | 19261 | |
| 600 | 2,5 | 19062 | 19022 | V41-2204D | 19262 | 19222 |
| | 5 | 19063 | 19023 | V41-2204F | 19263 | 19223 |
| | 10 | 19064 | 19024 | V41-2204H | 19264 | 19224 |
| | 15 | 19065 | 19097 | V41-2204J | 19265 | 19297 |
| 750 | 2,5 | 19066 | 19025 | V41-2304D | 19266 | 19225 |
| | 5 | 19067 | 19026 | V41-2304F | 19267 | 19226 |
| | 10 | 19068 | 19027 | V41-2304H | 19268 | 19227 |
| | 15 | 19069 | 19098 | V41-2304J | 19269 | 19298 |
| 800 | 2,5 | 19070 | 19028 | | 19270 | 19228 |
| | 5 | 19071 | 19029 | | 19271 | 19229 |
| | 10 | 19072 | 19030 | | 19272 | 19230 |
| | 15 | 19073 | 19031 | | 19273 | 19231 |
| 1000 | 2,5 | | | V41-2504D | | |
| | 5 | 19074 | 19032 | V41-2504F | 19274 | 19232 |
| | 10 | 19075 | 19033 | V41-2504H | 19275 | 19233 |
| | 15 | 19076 | 19034 | V41-2504J | 19276 | 19234 |
| 1200 | 2,5 | | | V41-2604D | | |
| | 5 | 19078 | 19035 | V41-2604F | 19278 | 19235 |
| | 10 | 19079 | 19036 | V41-2604H | 19279 | 19236 |
| | 15 | 19080 | 19037 | V41-2604J | 19280 | 19237 |
| | 30 | 19081 | 19100 | | 19281 | 19300 |

| Primary current [A] | Burden [VA] | Secondary current [A] / Class | | | | |
|---------------------|-------------|-------------------------------|----------------------|-----------------------|--------------------|----------------------|
| | | 5 A Cl. 1 Art.-no. | 5 A Cl. 0,5 Art.-no. | 5 A Cl. 0,2s Art.-no. | 1 A Cl. 1 Art.-no. | 1 A Cl. 0,5 Art.-no. |
| 1250 | 5 | 19082 | 19038 | V41-2704F | 19282 | 19238 |
| | 10 | 19083 | 19039 | V41-2704H | 19283 | 19239 |
| | 15 | 19084 | 19040 | V41-2704J | 19284 | 19240 |
| | 30 | 19085 | 19101 | | 19285 | 19301 |
| 1500 | 5 | 19086 | 19041 | V41-2804F | 19286 | 19241 |
| | 10 | 19087 | 19042 | V41-2804H | 19287 | 19242 |
| | 15 | 19088 | 19043 | V41-2804J | 19288 | 19243 |
| | 30 | 19089 | 19102 | | 19289 | 19302 |
| 1600 | 5 | 19090 | 19044 | | 19290 | 19244 |
| | 10 | 19091 | 19045 | | 19291 | 19245 |
| | 15 | 19092 | 19046 | | 19292 | 19246 |
| | 30 | 19093 | 19103 | | 19293 | 19303 |

| | | Art.-no. |
|--|-------------------------------|--------------|
|  | Snap-on mounting | - |
|  | Sealed shutter, type C | 59042 |

• Please note: Current transformers in cl. 0.2S are only deliverable for bus bar 60x10 mm

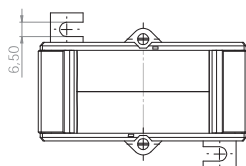
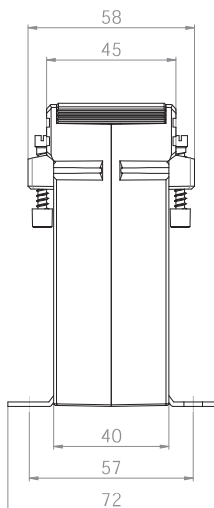
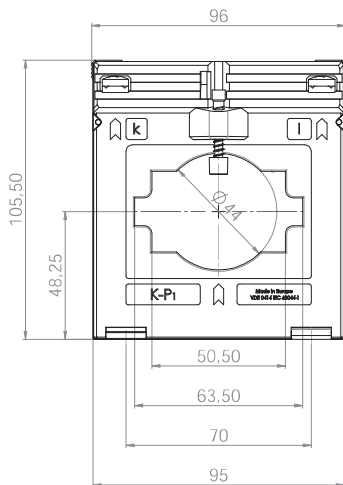
ASK 61.4 2U

Plug-in current transformer, secondary reconnectable



| | |
|-------------------|----------------|
| Bus bar 1 | 63 x 10 mm |
| Bus bar 2 | 2 x 50 x 10 mm |
| Round conductor | 44 mm |
| Transformer width | 96 mm |
| Height | 105,5 mm |
| Depth | 58 mm |

| Primary current [A] | Burden [VA] | Secondary current [A] / Class | |
|---------------------|-------------|-------------------------------|--------------------------|
| | | 5 A Cl. 1 Art.-no. | 1 A Cl. 1 Art.-no. |
| 500-250 | 5-2,5 | 19141 | 19341 |
| 600-300 | 5-2,5 | 19142 | 19342 |
| | 10-5 | 19143 | 19343 |
| 800-400 | 5-2,5 | 19144 | 19344 |
| | 10-5 | 19145 | 19345 |
| | 15-7,5 | 19146 | 19346 |
| 1000-500 | 5-2,5 | 19147 | 19347 |
| | 10-5 | 19148 | 19348 |
| | 15-7,5 | 19149 | 19349 |
| 1200-600 | 5-2,5 | 19150 | 19350 |
| | 10-5 | 19151 | 19351 |
| | 15-7,5 | 19152 | 19352 |



ASK 61.4 3U

Plug-in current transformer, secondary reconnectable

| Primary current [A] | Burden [VA] | Secondary current [A] / Class | |
|---------------------|-------------|-------------------------------|--------------------------|
| | | 5 A Cl. 1 Art.-no. | 1 A Cl. 1 Art.-no. |
| 800-400-200 | 10-5-2,5 | 19182 | 19382 |
| 1000-500-250 | 10-5-2,5 | 19183 | 19383 |
| | 15-7,5-2,5 | 19184 | 19384 |
| 1000-600-300 | 10-5-2,5 | 19185 | 19385 |
| | 15-7,5-2,5 | 19186 | 19386 |
| 1000-600-400 | 10-5-2,5 | 19199 | 19399 |
| 1200-600-300 | 10-5-2,5 | 19187 | 19387 |
| | 15-7,5-2,5 | 19188 | 19388 |

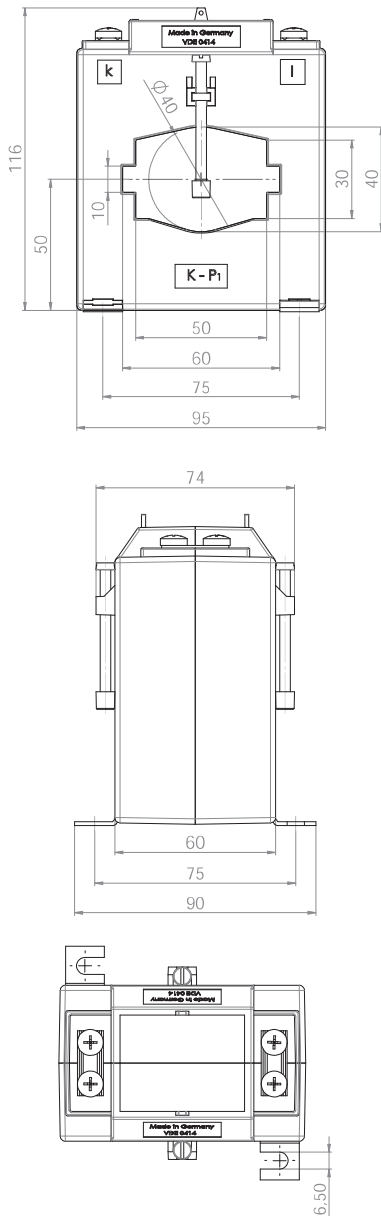
| | | Art.-no. |
|--|-------------------------------|--------------|
| | Snap-on mounting | - |
| | Sealed shutter, type C | 59042 |

ASK 61.6

Plug-in current transformer





Bus bar 1 60 x 10 mm
 Bus bar 2 50 x 30 mm
 Round conductor 40 mm
 Transformer width 95 mm
 Height 116 mm
 Depth 74 mm



| Primary current [A] | Burden [VA] | Secondary current [A] / Class | | | |
|---------------------|-------------|-------------------------------|----------------------------|--------------------------|----------------------------|
| | | 5 A Cl. 1 Art.-no. | 5 A Cl. 0,5 Art.-no. | 1 A Cl. 1 Art.-no. | 1 A Cl. 0,5 Art.-no. |
| 100 | 1,5 | 20063 | 20011 | 20263 | 20211 |
| | 2,5 | 20065 | 20012 | 20265 | 20212 |
| 150 | 1,5 | 20066 | 20013 | 20266 | 20213 |
| | 2,5 | 20067 | 20014 | 20267 | 20214 |
| 200 | 5 | 20068 | 20015 | 20268 | 20215 |
| | 10 | 20069 | | 20269 | |
| 250 | 2,5 | 20116 | 20016 | 20321 | 20216 |
| | 5 | 20070 | 20017 | 20270 | 20217 |
| | 10 | 20071 | | 20271 | |
| 300 | 15 | 20072 | | 20272 | |
| | 2,5 | 20117 | 20019 | 20322 | 20219 |
| | 5 | 20073 | 20020 | 20273 | 20220 |
| 400 | 10 | 20074 | 20021 | 20274 | 20221 |
| | 15 | 20075 | | 20275 | |
| | 2,5 | 20118 | 20023 | 20323 | 20223 |
| 500 | 5 | 20076 | 20024 | 20276 | 20224 |
| | 10 | 20077 | 20025 | 20277 | 20225 |
| | 15 | 20078 | 20026 | 20278 | 20226 |
| | 30 | 20079 | | 20279 | |
| 600 | 2,5 | 20119 | 20027 | 20324 | 20227 |
| | 5 | 20080 | 20028 | 20280 | 20228 |
| | 10 | 20081 | 20029 | 20281 | 20229 |
| | 15 | 20082 | 20030 | 20282 | 20230 |
| 750 | 30 | 20083 | | 20283 | |
| | 2,5 | 20120 | 20031 | 20325 | 20231 |
| | 5 | 20084 | 20032 | 20284 | 20232 |
| | 10 | 20085 | 20033 | 20285 | 20233 |
| 800 | 15 | 20086 | 20034 | 20286 | 20234 |
| | 30 | 20087 | | 20287 | |
| | 2,5 | 20121 | 20035 | 20326 | 20235 |
| | 5 | 20088 | 20036 | 20288 | 20236 |
| 1000 | 10 | 20089 | 20037 | 20289 | 20237 |
| | 15 | 20090 | 20038 | 20290 | 20238 |
| | 30 | 20091 | | 20291 | |
| | 5 | 20092 | 20040 | 20292 | 20240 |
| 1200 | 10 | 20093 | 20041 | 20293 | 20241 |
| | 15 | 20094 | 20042 | 20294 | 20242 |
| | 30 | 20095 | | 20295 | |
| | 5 | 20122 | 20043 | 20327 | 20243 |
| | 10 | 20096 | 20044 | 20296 | 20244 |
| 1200 | 15 | 20097 | 20045 | 20297 | 20245 |
| | 30 | 20098 | 20046 | 20298 | 20246 |
| | 45 | 20099 | | 20299 | |
| | 5 | 20123 | 20047 | 20328 | 20247 |
| | 10 | 20100 | 20048 | 20300 | 20248 |
| 1200 | 15 | 20101 | 20049 | 20301 | 20249 |
| | 30 | 20102 | 20050 | 20302 | 20250 |
| | 45 | 20103 | | 20303 | |

| Primary current [A] | Burden [VA] | Secondary current [A] / Class | | | |
|---------------------|-------------|-------------------------------|----------------------|--------------------|----------------------|
| | | 5 A Cl. 1 Art.-no. | 5 A Cl. 0,5 Art.-no. | 1 A Cl. 1 Art.-no. | 1 A Cl. 0,5 Art.-no. |
| 1250 | 5 | 20124 | 20051 | 20329 | 20251 |
| | 10 | 20104 | 20052 | 20304 | 20252 |
| | 15 | 20105 | 20053 | 20305 | 20253 |
| | 30 | 20106 | 20054 | 20306 | 20254 |
| | 45 | 20107 | | 20307 | |
| 1500 | 5 | 20125 | 20055 | 20330 | 20255 |
| | 10 | 20108 | 20056 | 20308 | 20256 |
| | 15 | 20109 | 20057 | 20309 | 20257 |
| | 30 | 20110 | 20058 | 20310 | 20258 |
| | 45 | 20111 | | 20311 | |

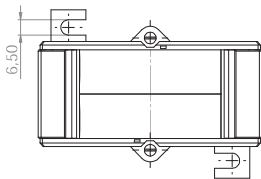
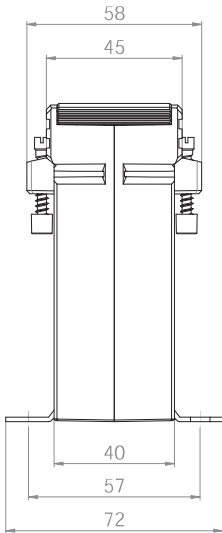
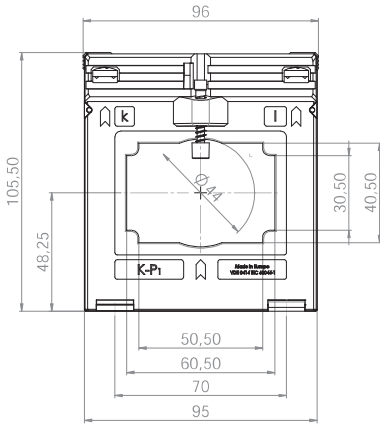
| | | Art.-no. |
|---|-------------------------------|--------------|
|  | Snap-on mounting | - |
|  | Sealed shutter, type E | 59044 |

ASK 63.4

Plug-in current transformer



| | |
|-------------------|------------|
| Bus bar 1 | 60 x 30 mm |
| Bus bar 2 | 50 x 40 mm |
| Round conductor | 44 mm |
| Transformer width | 96 mm |
| Height | 105,5 mm |
| Depth | 58 mm |



| Primary current [A] | Burden [VA] | Secondary current [A] / Class | | | |
|---------------------|-------------|-------------------------------|----------------------------|--------------------------|----------------------------|
| | | 5 A Cl. 1 Art.-no. | 5 A Cl. 0,5 Art.-no. | 1 A Cl. 1 Art.-no. | 1 A Cl. 0,5 Art.-no. |
| 300 | 1,5 | 25041 | 25011 | 25241 | 25211 |
| | 2,5 | 25042 | 25012 | 25242 | 25212 |
| 400 | 2,5 | 25043 | 25013 | 25243 | 25213 |
| | 5 | 25044 | 25014 | 25244 | 25214 |
| 500 | 5 | 25045 | 25015 | 25245 | 25215 |
| | 10 | 25046 | | 25246 | |
| 600 | 5 | 25047 | 25017 | 25247 | 25217 |
| | 10 | 25048 | 25018 | 25248 | 25218 |
| | 15 | 25049 | | 25249 | |
| 750 | 5 | 25050 | 25020 | 25250 | 25220 |
| | 10 | 25051 | 25021 | 25251 | 25221 |
| | 15 | 25052 | 25022 | 25252 | 25222 |
| 800 | 5 | 25053 | 25023 | 25253 | 25223 |
| | 10 | 25054 | 25024 | 25254 | 25224 |
| | 15 | 25055 | 25025 | 25255 | 25225 |
| 1000 | 5 | 25056 | 25026 | 25256 | 25226 |
| | 10 | 25057 | 25027 | 25257 | 25227 |
| | 15 | 25058 | 25028 | 25258 | 25228 |
| 1200 | 5 | 25059 | 25029 | 25259 | 25229 |
| | 10 | 25060 | 25030 | 25260 | 25230 |
| | 15 | 25061 | 25031 | 25261 | 25231 |
| 1250 | 5 | 25062 | 25032 | 25262 | 25232 |
| | 10 | 25063 | 25033 | 25263 | 25233 |
| | 15 | 25064 | 25034 | 25264 | 25234 |
| 1500 | 5 | 25065 | 25035 | 25265 | 25235 |
| | 10 | 25066 | 25036 | 25266 | 25236 |
| | 15 | 25067 | 25037 | 25267 | 25237 |
| 1600 | 5 | 25068VG | 25038VG | 25268VG | 25238VG |
| | 10 | 25069VG | 25039VG | 25269VG | 25239VG |
| | 15 | 25070VG | 25040VG | 25270VG | 25240VG |

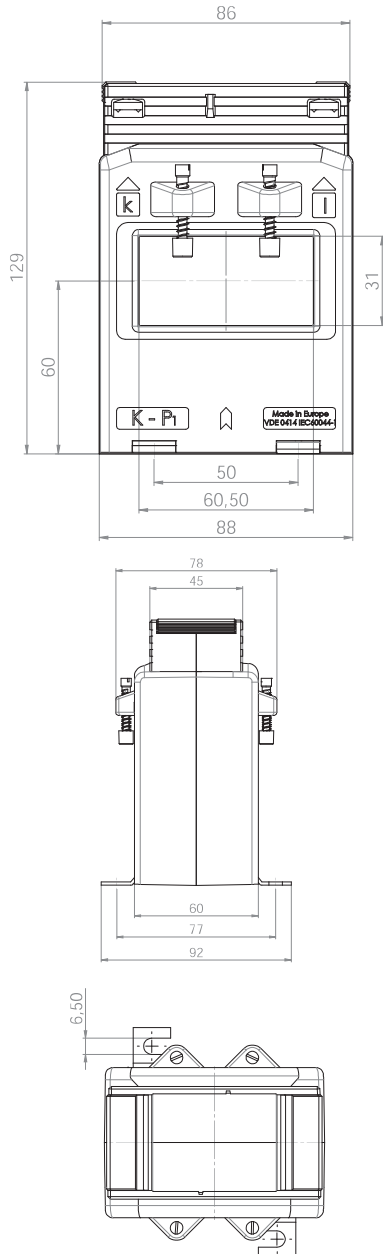
| | | Art.-no. |
|--|-------------------------------|--------------|
| | Snap-on mounting | - |
| | Sealed shutter, type C | 59042 |

ASK 63.6

Plug-in current transformer



Bus bar 1 60 x 30 mm
 Round conductor 30 mm
 Transformer width 88 mm
 Height 129 mm
 Depth 78 mm



| Primary current [A] | Burden [VA] | Secondary current [A] / Class | | | |
|---------------------|-------------|-------------------------------|----------------------|--------------------|----------------------|
| | | 5 A Cl. 1 Art.-no. | 5 A Cl. 0,5 Art.-no. | 1 A Cl. 1 Art.-no. | 1 A Cl. 0,5 Art.-no. |
| 200 | 1,5 | 85060 | | 85260 | |
| | 2,5 | 85061 | | 85261 | |
| 250 | 1,5 | 85062 | 85011 | 85262 | 85211 |
| | 2,5 | 85063 | 85012 | 85263 | 85212 |
| | 5 | 85116 | | 85316 | |
| 300 | 1,5 | 85064 | 85013 | 85264 | 85213 |
| | 2,5 | 85065 | 85014 | 85265 | 85214 |
| | 5 | 85066 | 85015 | 85266 | 85215 |
| | 10 | 85067 | | 85267 | |
| 400 | 2,5 | 85068 | 85017 | 85268 | 85217 |
| | 5 | 85069 | 85018 | 85269 | 85218 |
| | 10 | 85071 | | | |
| 500 | 2,5 | 85073 | 85021 | 85273 | 85221 |
| | 5 | 85074 | 85022 | 85274 | 85222 |
| | 10 | 85075 | | 85275 | |
| | 15 | 85076 | | 85276 | |
| 600 | 2,5 | 85077 | 85025 | 85277 | 85225 |
| | 5 | 85078 | 85026 | 85278 | 85226 |
| | 10 | 85079 | 85027 | 85279 | 85227 |
| 750 | 15 | 85080 | | 85280 | |
| | 2,5 | 85081 | 85029 | 85281 | 85229 |
| | 5 | 85082 | 85030 | 85282 | 85230 |
| 800 | 10 | 85083 | 85031 | 85283 | 85231 |
| | 15 | 85084 | | 85284 | |
| | 2,5 | 85085 | 85033 | 85285 | 85233 |
| 1000 | 5 | 85086 | 85034 | 85286 | 85234 |
| | 10 | 85087 | 85035 | 85287 | 85235 |
| | 15 | 85088 | 85036 | 85288 | 85236 |
| 1200 | 5 | 85089 | 85037 | 85289 | 85237 |
| | 10 | 85090 | 85038 | 85290 | 85238 |
| | 15 | 85091 | 85039 | 85291 | 85239 |
| | 30 | 85092 | | 85292 | |
| 1250 | 5 | 85093 | 85041 | 85293 | 85241 |
| | 10 | 85094 | 85042 | 85294 | 85242 |
| | 15 | 85095 | 85043 | 85295 | 85243 |
| | 30 | 85096 | | 85296 | |
| 1500 | 5 | 85097 | 85045 | 85297 | 85245 |
| | 10 | 85098 | 85046 | 85298 | 85246 |
| | 15 | 85099 | 85047 | 85299 | 85247 |
| | 30 | 85100 | | 85300 | |
| 1600 | 5 | 85101 | 85049 | 85301 | 85249 |
| | 10 | 85102 | 85050 | 85302 | 85250 |
| | 15 | 85103 | 85051 | 85303 | 85251 |
| | 30 | 85104 | | 85304 | |
| 2000 | 5 | 85105 | 85053 | 85305 | 85253 |
| | 10 | 85106 | 85054 | 85306 | 85254 |
| | 15 | 85107 | 85055 | 85307 | 85255 |
| | 30 | 85108 | | 85308 | |
| 2000 | 5 | 85109VV | 85056VV | 85309VV | 85256VV |
| | 10 | 85110VV | 85057VV | 85310VV | 85257VV |
| | 15 | 85111VV | 85058VV | 85311VV | 85258VV |

| | | Art.-no. |
|--|------------------------|----------|
| | Snap-on mounting | - |
| | Sealed shutter, type C | 59042 |

MBS AG

Eisbachstraße 51 - 74429 Sulzbach-Laufen
Germany

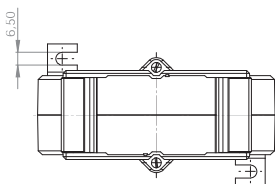
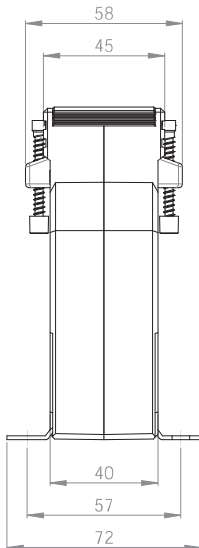
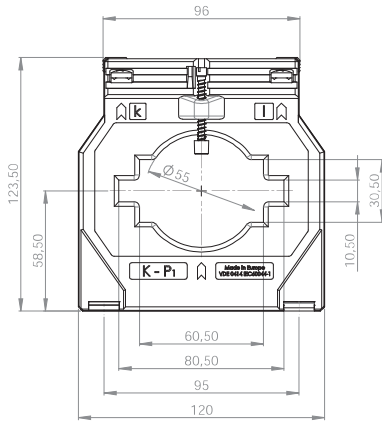
Telefon: +49 7976 9851-0 - Telefax: +49 7976 9851-90
E-Mail: info@mbs-ag.com - Web: www.mbs-ag.com

ASK 81.4

Plug-in current transformer



| | |
|-------------------|----------------|
| Bus bar 1 | 80 x 10 mm |
| Bus bar 2 | 60 x 30 mm |
| Bus bar 3 | 2 x 60 x 10 mm |
| Round conductor | 55 mm |
| Transformer width | 120 mm |
| Height | 123,5 mm |
| Depth | 58 mm |



| Primary current [A] | Burden [VA] | Secondary current [A] / Class | | | | |
|---------------------|-------------|-------------------------------|----------------------|-----------------------|--------------------|----------------------|
| | | 5 A Cl. 1 Art.-no. | 5 A Cl. 0,5 Art.-no. | 5 A Cl. 0,2s Art.-no. | 1 A Cl. 1 Art.-no. | 1 A Cl. 0,5 Art.-no. |
| 400 | 2,5 | 21038 | 21009 | V47-2004D | 21238 | 21209 |
| | 5 | 21039 | 21010 | V47-2004F | 21239 | 21210 |
| | 10 | 21198 | | | 21292 | |
| 500 | 2,5 | 21040 | 21011 | V47-2104D | 21240 | 21211 |
| | 5 | 21041 | 21135 | V47-2104F | 21241 | 21335 |
| | 10 | 21042 | 21078 | | 21242 | 21278 |
| 600 | 2,5 | 21043 | 21012 | V47-2204D | 21243 | 21212 |
| | 5 | 21044 | 21013 | V47-2204F | 21244 | 21213 |
| | 10 | 21045 | 21014 | V47-2204H | 21245 | 21214 |
| 750 | 2,5 | 21046 | 21015 | V47-2304D | 21246 | 21215 |
| | 5 | 21047 | 21016 | V47-2304F | 21247 | 21216 |
| | 10 | 21048 | 21017 | V47-2304H | 21248 | 21217 |
| | 15 | 21049 | 21079 | | 21249 | 21279 |
| 800 | 2,5 | 21050 | 21018 | | 21250 | 21218 |
| | 5 | 21051 | 21019 | | 21251 | 21219 |
| | 10 | 21052 | 21020 | | 21252 | 21220 |
| | 15 | 21053 | 21080 | | 21253 | 21280 |
| 1000 | 2,5 | 21084 | | | | |
| | 5 | 21054 | 21021 | V47-2504F | 21254 | 21221 |
| | 10 | 21055 | 21022 | V47-2504H | 21255 | 21222 |
| | 15 | 21056 | 21023 | V47-2504J | 21256 | 21223 |
| | 30 | 21057 | | | 21257 | |
| 1200 | 5 | 21058 | 21024 | V47-2604F | 21258 | 21224 |
| | 10 | 21059 | 21025 | V47-2604H | 21259 | 21225 |
| | 15 | 21060 | 21026 | V47-2604J | 21260 | 21226 |
| 1250 | 5 | 21062 | 21027 | V47-2704F | 21262 | 21227 |
| | 10 | 21063 | 21028 | V47-2704H | 21263 | 21228 |
| | 15 | 21064 | 21029 | V47-2704J | 21264 | 21229 |
| 1500 | 5 | 21085 | 21030 | V47-2804F | 21285 | 21230 |
| | 10 | 21066 | 21031 | V47-2804H | 21266 | 21231 |
| | 15 | 21067 | 21032 | V47-2804J | 21267 | 21232 |
| | 30 | 21068 | | | 21268 | |
| 1600 | 5 | 21086 | 21033 | | 21286 | 21233 |
| | 10 | 21070 | 21034 | | 21270 | 21234 |
| | 15 | 21071 | 21035 | | 21271 | 21235 |
| | 30 | 21072 | | | 21272 | |
| 2000 | 10 | 21074 | 21036 | | 21274 | 21236 |
| | 15 | 21075 | 21037 | | 21275 | 21237 |
| | 30 | 21076 | | | 21276 | |

| | | Art.-no. |
|--|-------------------------------|--------------|
| | Snap-on mounting | - |
| | Sealed shutter, type C | 59042 |

ASK 81.4 2U

Plug-in current transformer, secondary reconnectable

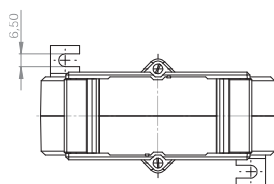
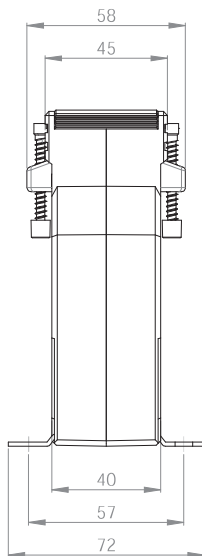
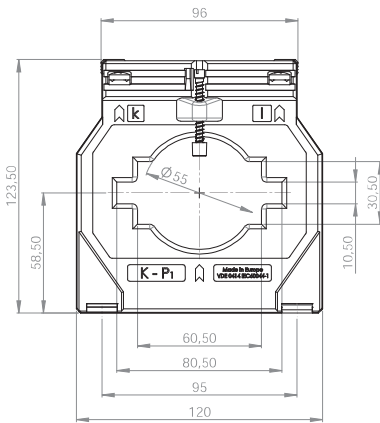


| | |
|-------------------|----------------|
| Bus bar 1 | 80 x 10 mm |
| Bus bar 2 | 60 x 30 mm |
| Bus bar 3 | 2 x 60 x 10 mm |
| Round conductor | 55 mm |
| Transformer width | 120 mm |
| Height | 123,5 mm |
| Depth | 58 mm |

| Primary current [A] | Burden [VA] | Secondary current [A] / Class | |
|---------------------|-------------|-------------------------------|--------------------------|
| | | 5 A Cl. 1 Art.-no. | 1 A Cl. 1 Art.-no. |
| 1000-500 | 10-5 | 21120 | 21320 |
| | 15-7,5 | 21121 | 21321 |
| 1200-600 | 10-5 | 21122 | 21322 |
| | 15-7,5 | 21123 | 21323 |
| 1500-750 | 10-5 | 21124 | 21324 |
| | 15-7,5 | 21125 | 21325 |
| | 30-15 | 21126 | 21326 |
| 1600-800 | 10-5 | 21127 | 21327 |
| | 15-7,5 | 21128 | 21328 |

ASK 81.4 3U

Plug-in current transformer, secondary reconnectable



| Primary current [A] | Burden [VA] | Secondary current [A] / Class | |
|---------------------|-------------|-------------------------------|--------------------------|
| | | 5 A Cl. 1 Art.-no. | 1 A Cl. 1 Art.-no. |
| 1000-750-500 | 10-5-2,5 | 21166 | 21366 |
| 1200-800-600 | 15-10-5 | 21164 | 21364 |
| 1500-1000-500 | 15-10-5 | 21163 | 21363 |
| 1500-1000-750 | 15-10-5 | 21165 | 21365 |
| 1600-800-400 | 15-10-5 | 21162 | 21362 |

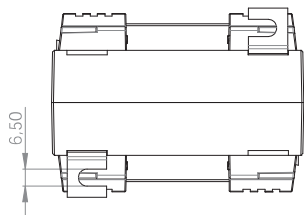
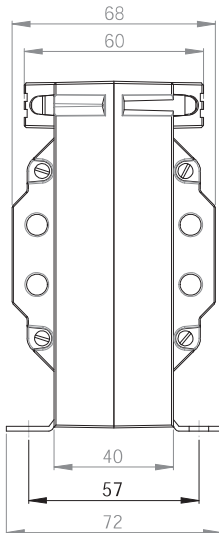
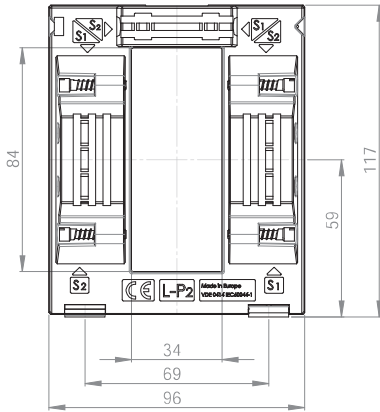
| | | Art.-no. |
|--|-------------------------------|--------------|
| | Snap-on mounting | - |
| | Sealed shutter, type C | 59042 |

ASK 83.4

Plug-in current transformer



Bus bar 1 84 x 34 mm
 Round conductor 34 mm
 Transformer width 96 mm
 Height 117 mm
 Depth 68 mm



Selectable positions of the secondary terminals allow flexible positions of installation.

| Primary current [A] | Burden [VA] | Secondary current [A] / Class | | | |
|---------------------|-------------|-------------------------------|----------------------|--------------------|----------------------|
| | | 5 A Cl. 1 Art.-no. | 5 A Cl. 0,5 Art.-no. | 1 A Cl. 1 Art.-no. | 1 A Cl. 0,5 Art.-no. |
| 300 | 1,5 | 100051-x | 100011-x | 100251-x | 100211-x |
| | 2,5 | 100052-x | 100012-x | 100252-x | 100212-x |
| 400 | 2,5 | 100053-x | 100013-x | 100253-x | 100213-x |
| | 5 | 100054-x | 100014-x | 100254-x | 100214-x |
| 500 | 2,5 | 100055-x | 100015-x | 100255-x | 100215-x |
| | 5 | 100056-x | 100016-x | 100256-x | 100216-x |
| 600 | 2,5 | 100057-x | 100017-x | 100257-x | 100217-x |
| | 5 | 100058-x | 100018-x | 100258-x | 100218-x |
| 750 | 10 | 100059-x | | 100259-x | |
| | 2,5 | 100060-x | 100019-x | 100260-x | 100219-x |
| | 5 | 100061-x | 100020-x | 100261-x | 100220-x |
| 800 | 10 | 100062-x | 100021-x | 100262-x | 100221-x |
| | 15 | 100063-x | | 100263-x | |
| | 2,5 | 100064-x | 100022-x | 100264-x | 100222-x |
| 1000 | 5 | 100065-x | 100023-x | 100265-x | 100223-x |
| | 10 | 100066-x | 100024-x | 100266-x | 100224-x |
| | 15 | 100067-x | | 100267-x | |
| 1200 | 5 | 100068-x | 100025-x | 100268-x | 100225-x |
| | 10 | 100069-x | 100026-x | 100269-x | 100226-x |
| | 15 | 100070-x | 100027-x | 100270-x | 100227-x |
| 1250 | 5 | 100071-x | 100028-x | 100271-x | 100228-x |
| | 10 | 100072-x | 100029-x | 100272-x | 100229-x |
| | 15 | 100073-x | 100030-x | 100273-x | 100230-x |
| 1500 | 5 | 100074-x | 100031-x | 100274-x | 100231-x |
| | 10 | 100075-x | 100032-x | 100275-x | 100232-x |
| | 15 | 100076-x | 100033-x | 100276-x | 100233-x |
| 1600 | 5 | 100077-x | 100034-x | 100277-x | 100234-x |
| | 10 | 100078-x | 100035-x | 100278-x | 100235-x |
| | 15 | 100079-x | 100036-x | 100279-x | 100236-x |
| 1800 | 5 | 100080-x | 100037-x | 100280-x | 100237-x |
| | 10 | 100081-x | 100038-x | 100281-x | 100238-x |
| | 15 | 100082-x | 100039-x | 100282-x | 100239-x |
| 2000 | 30 | 100083-x | | 100283-x | |
| | 10 | 100084-x | 100040-x | 100284-x | 100240-x |
| | 15 | 100085-x | 100041-x | 100285-x | 100241-x |
| 2000 | 30 | 100086-x | | 100286-x | |
| | 10 | 100087-x | 100042-x | 100287-x | 100242-x |
| | 15 | 100088-x | 100043-x | 100288-x | 100243-x |
| | | 30 | 100089-x | 100289-x | |

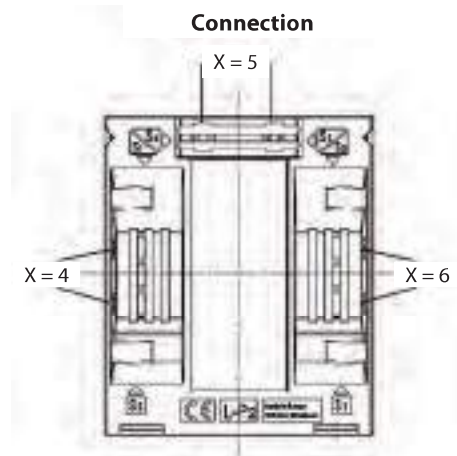
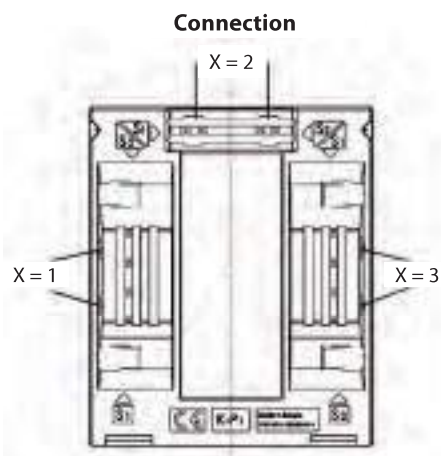
| | | Art.-no. |
|--|-------------------------|----------|
| | Snap-on mounting | - |
| | Sealed shutter | - |

ASK 83.4

Plug-in current transformer



The secondary terminals of the current transformer type ASK 83.4 can be realized in 6 different positions. Please be so kind and choose with your order.



Order example

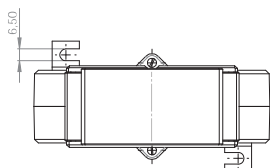
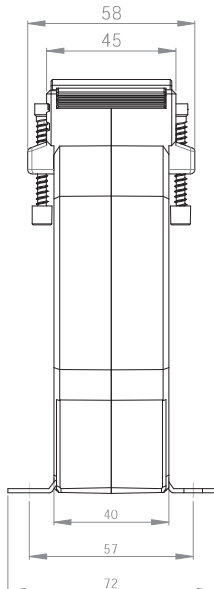
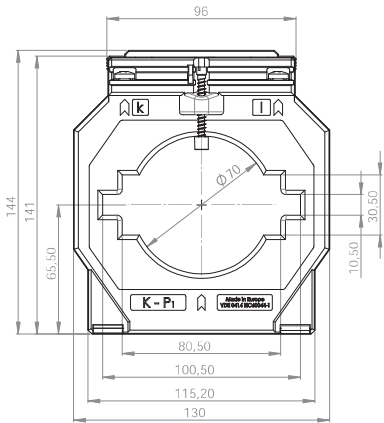
ASK 83.4 800/5A 10VA Cl.1
 Connection option K-P₁ (h.b.) top
 Art.-no. 100066-2

ASK 101.4

Plug-in current transformer



Bus bar 1 100 x 10 mm
 Bus bar 2 2 x 80 x 10 mm
 Round conductor 70 mm
 Transformer width 130 mm
 Height 141 mm
 Depth 58 mm



| Primary current [A] | Burden [VA] | Secondary current [A] / Class | | | |
|---------------------|-------------|-------------------------------|----------------------------|--------------------------|----------------------------|
| | | 5 A Cl. 1 Art.-no. | 5 A Cl. 0,5 Art.-no. | 1 A Cl. 1 Art.-no. | 1 A Cl. 0,5 Art.-no. |
| 500 | 2,5 | | 22009 | | 22209 |
| | 5 | 22076 | 22010 | 22276 | 22210 |
| | 10 | 22077 | | 22277 | |
| 600 | 2,5 | | 22011 | | 22211 |
| | 5 | 22038 | 22012 | 22238 | 22212 |
| | 10 | 22039 | | 22239 | |
| 750 | 2,5 | | 22013 | | 22213 |
| | 5 | 22040 | 22014 | 22240 | 22214 |
| | 10 | 22041 | 22078 | 22241 | 22281 |
| 800 | 5 | 22042 | 22015 | 22242 | 22215 |
| | 10 | 22043 | 22016 | 22243 | 22216 |
| | 15 | 22044 | | 22244 | |
| 1000 | 5 | 22045 | 22017 | 22245 | 22217 |
| | 10 | 22046 | 22018 | 22246 | 22218 |
| | 15 | 22047 | | 22247 | |
| 1200 | 5 | 22048 | 22019 | 22248 | 22219 |
| | 10 | 22049 | 22020 | 22249 | 22220 |
| | 15 | 22050 | | 22250 | |
| 1250 | 30 | 22051 | | 22251 | |
| | 5 | 22052 | 22021 | 22252 | 22221 |
| | 10 | 22053 | 22022 | 22253 | 22222 |
| 1500 | 15 | 22054 | | 22254 | |
| | 30 | 22055 | | 22255 | |
| | 5 | 22056 | 22023 | 22256 | 22223 |
| 1600 | 10 | 22057 | 22024 | 22257 | 22224 |
| | 15 | 22058 | 22025 | 22258 | 22279 |
| | 30 | 22059 | | 22259 | |
| 1800 | 5 | | 22026 | | 22226 |
| | 10 | 22060 | 22027 | 22260 | 22227 |
| | 15 | 22061 | 22028 | 22261 | 22228 |
| 2000 | 30 | 22062 | | 22262 | |
| | 5 | | 22029 | | 22229 |
| | 10 | 22064 | 22030 | 22264 | 22230 |
| 2000 | 15 | 22065 | 22031 | 22265 | 22231 |
| | 30 | 22066 | | 22266 | |
| | 5 | | 22032 | | 22232 |
| | 10 | 22068 | 22033 | 22268 | 22233 |
| 2000 | 15 | 22069 | 22034 | 22269 | 22234 |
| | 30 | 22070 | 22118 | 22270 | 22280 |

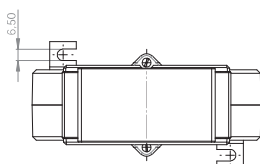
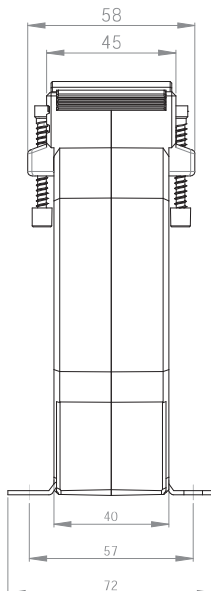
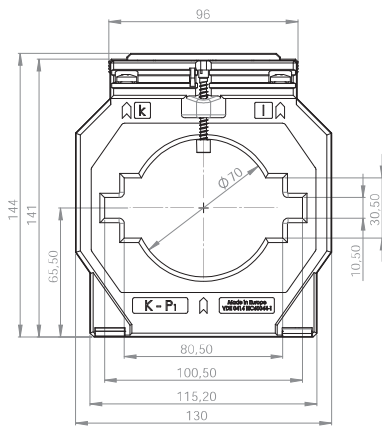
| | | Art.-no. |
|--|-------------------------------|--------------|
| | Snap-on mounting | - |
| | Sealed shutter, type C | 59042 |

ASK 101.4 2U

Plug-in current transformer, secondary reconnectable



| | |
|-------------------|----------------|
| Bus bar 1 | 100 x 10 mm |
| Bus bar 2 | 2 x 80 x 10 mm |
| Round conductor | 70 mm |
| Transformer width | 130 mm |
| Height | 141 mm |
| Depth | 58 mm |



| Primary current [A] | Burden [VA] | Secondary current [A] / Class | |
|---------------------|-------------|-------------------------------|--------------------------|
| | | 5 A Cl. 1 Art.-no. | 1 A Cl. 1 Art.-no. |
| 1200-600 | 10-5 | 22120 | 22320 |
| | 15-7,5 | 22121 | 22321 |
| 1500-750 | 10-5 | 22122 | 22322 |
| | 15-7,5 | 22123 | 22323 |
| 1600-800 | 10-5 | 22124 | 22324 |
| | 15-7,5 | 22125 | 22325 |
| | 30-15 | 22126 | 22326 |
| 2000-1000 | 10-5 | 22127 | 22327 |
| | 15-7,5 | 22128 | 22328 |
| | 30-15 | 22129 | 22329 |

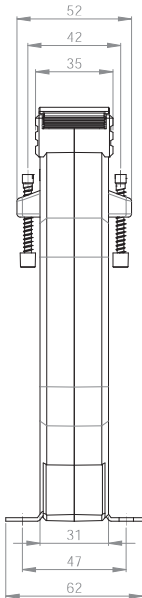
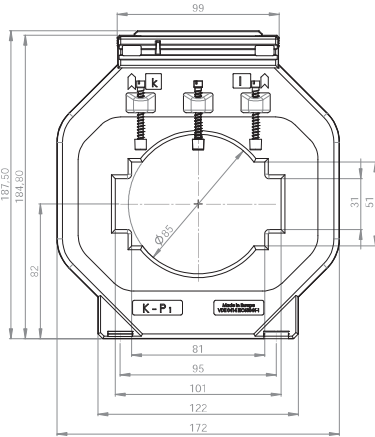
| | | Art.-no. |
|--|-------------------------------|--------------|
| | Snap-on mounting | - |
| | Sealed shutter, type C | 59042 |

ASK 103.3

Plug-in current transformer



Bus bar 1 2 x 100 x 10 mm
 Bus bar 2 3 x 80 x 10 mm
 Round conductor 85 mm
 Transformer width 172 mm
 Height 184,8 mm
 Depth 52 mm



| Primary current [A] | Burden [VA] | Secondary current [A] / Class | | | |
|---------------------|-------------|-------------------------------|----------------------------|--------------------------|----------------------------|
| | | 5 A Cl. 1 Art.-no. | 5 A Cl. 0,5 Art.-no. | 1 A Cl. 1 Art.-no. | 1 A Cl. 0,5 Art.-no. |
| 750 | 2,5 | | 23011 | | 23211 |
| | 5 | 23036 | 23076 | 23236 | 23276 |
| | 10 | 23037 | | 23237 | |
| 800 | 2,5 | | 23012 | | 23212 |
| | 5 | 23038 | 23013 | 23238 | 23213 |
| | 10 | 23039 | 23077 | 23239 | 23277 |
| | 15 | 23040 | | 23240 | |
| 1000 | 5 | 23041 | 23014 | 23241 | 23214 |
| | 10 | 23042 | 23015 | 23242 | 23215 |
| | 15 | 23043 | 23016 | 23243 | 23216 |
| 1200 | 5 | 23044 | 23017 | 23244 | 23217 |
| | 10 | 23045 | 23018 | 23245 | 23218 |
| | 15 | 23046 | 23019 | 23246 | 23219 |
| | 30 | 23047 | | 23247 | |
| 1250 | 5 | 23048 | 23020 | 23248 | 23220 |
| | 10 | 23049 | 23021 | 23249 | 23221 |
| | 15 | 23050 | 23022 | 23250 | 23222 |
| | 30 | 23051 | | 23251 | |
| 1500 | 10 | 23052 | 23023 | 23252 | 23223 |
| | 15 | 23053 | 23024 | 23253 | 23224 |
| | 30 | 23054 | | 23254 | |
| 1600 | 10 | 23056 | 23025 | 23256 | 23225 |
| | 15 | 23057 | 23026 | 23257 | 23226 |
| | 30 | 23058 | | 23258 | |
| 2000 | 10 | 23060 | 23027 | 23260 | 23227 |
| | 15 | 23061 | 23028 | 23261 | 23228 |
| | 30 | 23062 | 23029 | 23262 | 23229 |
| 2500 | 10 | 23064 | 23030 | 23264 | 23230 |
| | 15 | 23065 | 23031 | 23265 | 23231 |
| | 30 | 23066 | 23032 | 23266 | 23232 |
| 3000 | 10 | 23068 | 23033 | 23268 | 23233 |
| | 15 | 23069 | 23034 | 23269 | 23234 |
| | 30 | 23070 | 23035 | 23270 | 23235 |

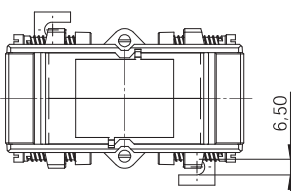
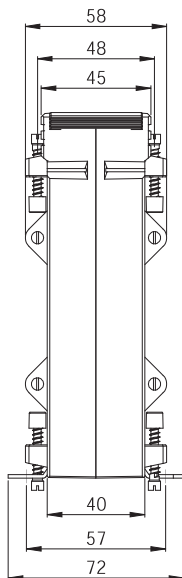
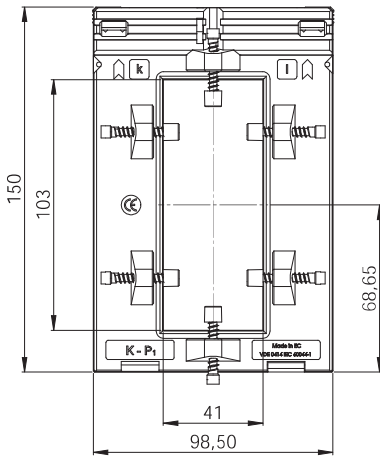
| | | Art.-no. |
|--|-------------------------------|--------------|
| | Snap-on mounting | - |
| | Sealed shutter, type A | 59040 |

ASK 103.41

Plug-in current transformer



Bus bar 1 103 x 41 mm
 Round conductor 40 mm
 Transformer width 99 mm
 Height 150 mm
 Depth 58 mm



| Primary current [A] | Burden [VA] | Secondary current [A] / Class | | | |
|---------------------|-------------|-------------------------------|----------------------------|--------------------------|----------------------------|
| | | 5 A Cl. 1 Art.-no. | 5 A Cl. 0,5 Art.-no. | 1 A Cl. 1 Art.-no. | 1 A Cl. 0,5 Art.-no. |
| 400 | 2,5 | 97051 | 97021 | 97251 | 97221 |
| | 5 | 97052 | | 97252 | |
| 500 | 2,5 | 97053 | 97023 | 97253 | 97223 |
| | 5 | 97054 | | 97254 | |
| 600 | 2,5 | 97055 | 97025 | 97255 | 97225 |
| | 5 | 97056 | | 97256 | |
| 750 | 2,5 | 97057 | 97027 | 97257 | 97227 |
| | 5 | 97058 | | 97258 | |
| 800 | 5 | 97059 | 97029 | 97259 | 97229 |
| | 10 | 97060 | | 97260 | |
| 1000 | 10 | 97061 | 97031 | 97261 | 97231 |
| | 15 | 97062 | | 97262 | |
| 1200 | 10 | 97063 | 97033 | 97263 | 97233 |
| | 15 | 97064 | | 97264 | |
| 1250 | 10 | 97065 | 97035 | 97265 | 97235 |
| | 15 | 97066 | | 97266 | |
| 1500 | 15 | 97067 | 97037 | 97267 | 97237 |
| | 30 | 97068 | | 97268 | |
| 2000 | 15 | 97069 | 97039 | 97269 | 97239 |
| | 30 | 97070 | | 97270 | |

ASK 103.41 2U

Plug-in current transformer, secondary reconnectable

| Primary current [A] | Burden [VA] | Secondary current [A] / Class | | | |
|---------------------|-------------|-------------------------------|----------------------------|--------------------------|----------------------------|
| | | 5 A Cl. 1 Art.-no. | 5 A Cl. 0,5 Art.-no. | 1 A Cl. 1 Art.-no. | 1 A Cl. 0,5 Art.-no. |
| 1000-500 | 5-2,5 | 97081 | 97071 | 97281 | 97271 |
| 1200-600 | 5-2,5 | 97082 | 97072 | 97282 | 97272 |
| 1500-750 | 10-5 | 97083 | 97073 | 97283 | 97273 |
| | 15-7,5 | 97084 | | 97284 | |
| 2000-1000 | 15-7,5 | 97085 | 97075 | 97285 | 97275 |
| | 30-15 | 97086 | | 97286 | |

| | | Art.-no. |
|--|-------------------------|----------|
| | Snap-on mounting | - |
| | Sealed shutter | - |

MBS AG

Eisbachstraße 51 - 74429 Sulzbach-Laufen
 Germany

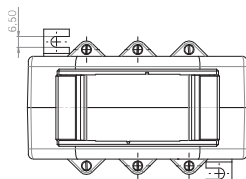
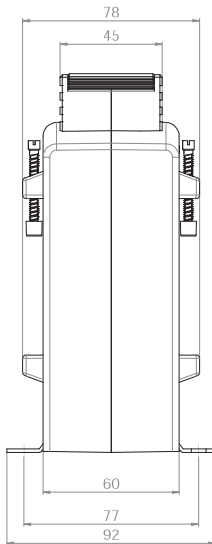
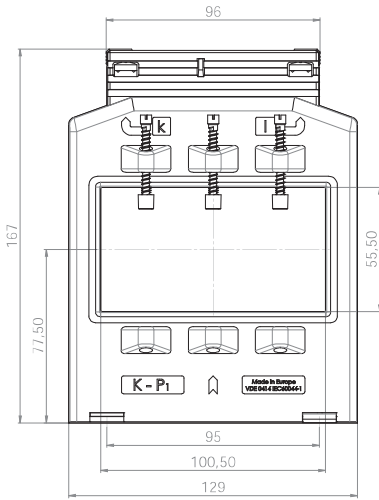
Telefon: +49 7976 9851-0 - Telefax: +49 7976 9851-90
 E-Mail: info@mbs-ag.com - Web: www.mbs-ag.com

ASK 105.6

Plug-in current transformer



Bus bar 1 100 x 55 mm
 Round conductor 55 mm
 Transformer width 129 mm
 Height 167 mm
 Depth 78 mm



| Primary current [A] | Burden [VA] | Secondary current [A] / Class | | | | |
|---------------------|-------------|-------------------------------|----------------------|-----------------------|--------------------|----------------------|
| | | 5 A Cl. 1 Art.-no. | 5 A Cl. 0,5 Art.-no. | 5 A Cl. 0,2s Art.-no. | 1 A Cl. 1 Art.-no. | 1 A Cl. 0,5 Art.-no. |
| 600 | 2,5 | | 86083 | V55-2204D | | 86283 |
| | 5 | 86092 | 86084 | | 86292 | 86284 |
| | 10 | 86093 | | | 86293 | |
| 750 | 2,5 | | 86086 | V55-2304D | | 86286 |
| | 5 | 86095 | 86087 | V55-2304F | 86295 | 86287 |
| | 10 | 86096 | 86157 | | 86296 | 86357 |
| 800 | 5 | 86097 | 86089 | V55-2404F | 86297 | 86289 |
| | 10 | 86098 | 86090 | | 86298 | 86290 |
| | 2,5 | | 86158 | | | |
| 1000 | 5 | 86051 | 86011 | V55-2504F | 86251 | 86211 |
| | 10 | 86052 | 86159 | V55-2504H | 86252 | 86359 |
| | 15 | 86113 | 86160 | | 86299 | 86360 |
| 1200 | 5 | 86053 | 86013 | V55-2604F | 86253 | 86213 |
| | 10 | 86054 | 86014 | V55-2604H | 86254 | 86214 |
| | 15 | 86055 | 86015 | | 86255 | 86215 |
| 1250 | 5 | 86056 | 86016 | V55-2704F | 86256 | 86216 |
| | 10 | 86057 | 86017 | V55-2704H | 86257 | 86217 |
| | 15 | 86058 | 86018 | V55-2704J | 86258 | 86218 |
| 1500 | 5 | 86059 | 86019 | V55-2804F | 86259 | 86219 |
| | 10 | 86060 | 86020 | V55-2804H | 86260 | 86220 |
| | 15 | 86061 | 86021 | V55-2804J | 86261 | 86221 |
| 1600 | 30 | 86062 | 86163 | | 86262 | 86363 |
| | 5 | 86110 | 86164 | V55-2904F | | |
| | 10 | 86142 | 86165 | V55-2904H | 86331 | 86338 |
| 1800 | 15 | 86101 | 86149 | V55-2904J | 86330 | 86339 |
| | 30 | 86138 | 86166 | | 86337 | 86340 |
| | 5 | 86063 | 86023 | | 86263 | 86223 |
| 2000 | 10 | 86064 | 86024 | | 86264 | 86224 |
| | 15 | 86065 | 86025 | | 86265 | 86225 |
| | 30 | 86066 | | | 86266 | |
| 2400 | 5 | | 86167 | V55-3004F | | |
| | 10 | 86067 | 86027 | V55-3004H | 86267 | 86227 |
| | 15 | 86068 | 86028 | V55-3004J | 86268 | 86228 |
| 2500 | 30 | 86069 | 86029 | | 86269 | 86229 |
| | 45 | 86070 | | | 86270 | |
| | 10 | | 86169 | V55-3104H | | |
| 2500 | 15 | | 86170 | V55-3104J | | |
| | 30 | | 86171 | | | |
| | 5 | | 86172 | V55-3204F | | |
| 3000 | 10 | 86071 | 86031 | V55-3204H | 86271 | 86231 |
| | 15 | 86072 | 86032 | V55-3204J | 86272 | 86232 |
| | 30 | 86073 | 86033 | | 86273 | 86233 |
| 3000 | 45 | 86074 | | | 86274 | |
| | 5 | | 86173 | V55-3304F | | |
| | 10 | 86075 | 86035 | V55-3304H | 86275 | 86235 |
| 3000 | 15 | 86076 | 86036 | V55-3304J | 86276 | 86236 |
| | 30 | 86077 | 86037 | | 86277 | 86237 |
| | 45 | 86078 | | | 86278 | |

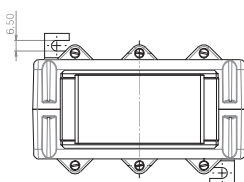
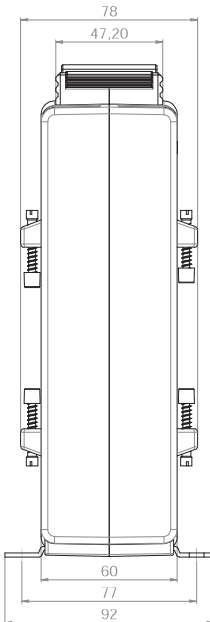
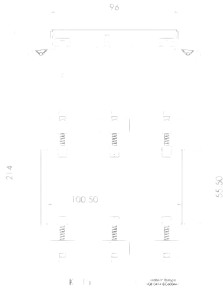
| | | Art.-no. |
|--|------------------------|----------|
| | Snap-on mounting | - |
| | Sealed shutter, type C | 59042 |

ASK 105.6N

Plug-in current transformer



Bus bar 1 100 x 55 mm
 Round conductor 55 mm
 Transformer width 129 mm
 Height 214 mm
 Depth 78 mm



| Primary current [A] | Burden [VA] | Secondary current [A] / Class | | | |
|---------------------|-------------|-------------------------------|----------------------------|--------------------------|----------------------------|
| | | 5 A Cl. 1 Art.-no. | 5 A Cl. 0,5 Art.-no. | 1 A Cl. 1 Art.-no. | 1 A Cl. 0,5 Art.-no. |
| 2500 | 10 | 86451 | 86481 | 86411 | 86431 |
| | 15 | 86452 | 86482 | 86412 | 86432 |
| | 30 | 86453 | 86483 | 86413 | 86433 |
| | 45 | 86454 | | 86414 | |
| 3000 | 10 | 86455 | 86484 | 86415 | 86434 |
| | 15 | 86456 | 86485 | 86416 | 86435 |
| | 30 | 86457 | 86486 | 86417 | 86436 |
| | 45 | 86458 | | 86418 | |
| 4000 | 10 | 86459 | 86487 | 86419 | 86437 |
| | 15 | 86460 | 86488 | 86420 | 86438 |
| | 30 | 86461 | 86489 | 86421 | 86439 |
| | 45 | 86462 | | 86422 | |

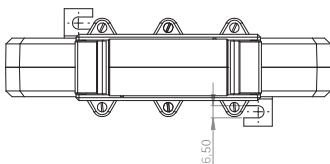
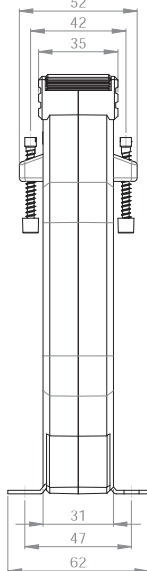
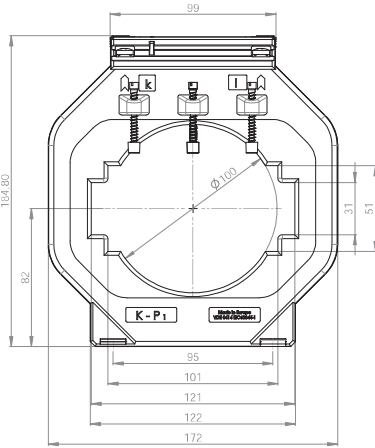
| | | Art.-no. |
|--|-------------------------------|--------------|
| | Snap-on mounting | - |
| | Sealed shutter, type C | 59042 |

ASK 123.3

Plug-in current transformer



Bus bar 1 123 x 30 mm
 Bus bar 2 3 x 100 x 10 mm
 Round conductor 100 mm
 Transformer width 172 mm
 Height 184,8 mm
 Depth 52 mm



| Primary current [A] | Burden [VA] | Secondary current [A] / Class | | | | |
|---------------------|-------------|-------------------------------|----------------------|-----------------------|--------------------|----------------------|
| | | 5 A Cl. 1 Art.-no. | 5 A Cl. 0,5 Art.-no. | 5 A Cl. 0,2s Art.-no. | 1 A Cl. 1 Art.-no. | 1 A Cl. 0,5 Art.-no. |
| 750 | 2,5 | | 24127 | | | |
| | 5 | | 24128 | | | |
| | 10 | | 24129 | | | |
| 1000 | 2,5 | | 24010 | V56-2504D | | |
| | 5 | 24037 | 24011 | V56-2504F | 24237 | 24211 |
| 1200 | 10 | 24038 | 24126 | | 24238 | 24125 |
| | 5 | 24039 | 24012 | V56-2604F | 24239 | 24212 |
| 1250 | 10 | 24040 | 24013 | | 24240 | 24213 |
| | 15 | 24041 | 24014 | | 24241 | 24214 |
| 1500 | 5 | 24042 | 24015 | V56-2704F | 24242 | 24215 |
| | 10 | 24043 | 24016 | V56-2704H | 24243 | 24216 |
| | 15 | 24044 | 24017 | | 24244 | 24217 |
| 1600 | 5 | 24045 | 24018 | V56-2804F | 24245 | 24218 |
| | 10 | 24046 | 24019 | V56-2804H | 24246 | 24219 |
| | 15 | 24047 | 24020 | | 24247 | 24220 |
| | 30 | 24048 | | | 24248 | |
| 1800 | 5 | 24112 | | V56-2904F | | |
| | 10 | 24107 | | V56-2904H | | |
| | 15 | 24113 | | V56-2904J | | |
| | 30 | 24108 | 24131 | | | |
| 2000 | 5 | 24049 | 24021 | | 24249 | 24221 |
| | 10 | 24050 | 24022 | | 24250 | 24222 |
| | 15 | 24051 | 24023 | | 24251 | 24223 |
| | 30 | 24052 | | | 24252 | |
| 2500 | 5 | | 24024 | V56-3004F | | 24224 |
| | 10 | 24053 | 24025 | V56-3004H | 24253 | 24225 |
| | 15 | 24054 | 24026 | V56-3004J | 24254 | 24226 |
| | 30 | 24055 | 24027 | | 24255 | 24227 |
| 3000 | 5 | | 24136 | V56-3204F | | |
| | 10 | 24057 | 24028 | V56-3204H | 24257 | 24228 |
| | 15 | 24058 | 24029 | V56-3204J | 24258 | 24229 |
| | 30 | 24059 | 24030 | | 24259 | 24230 |
| 3000 | 5 | | 24137 | V56-3304F | | |
| | 10 | 24061 | 24031 | V56-3304H | 24261 | 24231 |
| | 15 | 24062 | 24032 | V56-3304J | 24262 | 24232 |
| | 30 | 24063 | 24033 | | 24263 | 24233 |
| | 45 | 24064 | | | 24264 | |

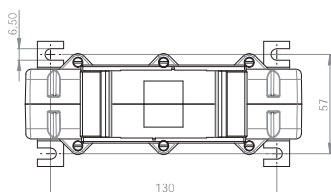
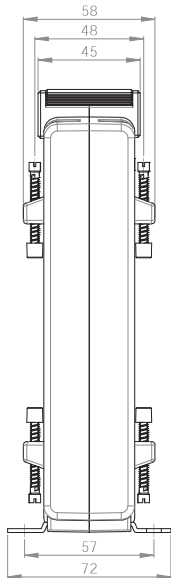
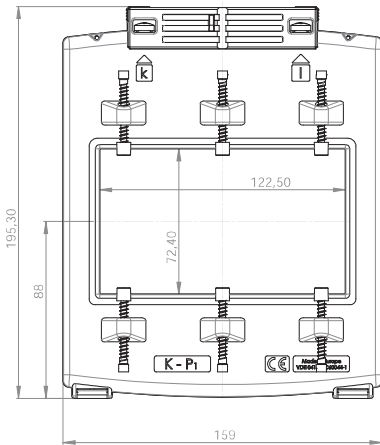
| | | Art.-no. |
|--|-------------------------------|--------------|
| | Snap-on mounting | - |
| | Sealed shutter, type A | 59040 |

ASK 127.4

Plug-in current transformer



Bus bar 1 120 x 70 mm
 Round conductor 70 mm
 Transformer width 159 mm
 Height 195,3 mm
 Depth 58 mm



| Primary current [A] | Burden [VA] | Secondary current [A] / Class | | | |
|---------------------|-------------|-------------------------------|----------------------------|--------------------------|----------------------------|
| | | 5 A Cl. 1 Art.-no. | 5 A Cl. 0,5 Art.-no. | 1 A Cl. 1 Art.-no. | 1 A Cl. 0,5 Art.-no. |
| 1000 | 5 | 87540 | 87510 | 87640 | 87610 |
| | 10 | 87541 | 87511 | 87641 | 87611 |
| 1200 | 5 | 87542 | 87512 | 87642 | 87612 |
| | 10 | 87543 | 87513 | 87643 | 87613 |
| | 15 | 87544 | 87514 | 87644 | 87614 |
| 1250 | 10 | 87545 | 87515 | 87645 | 87615 |
| | 15 | 87546 | 87516 | 87646 | 87616 |
| | 30 | 87547 | 87517 | 87647 | 87617 |
| 1500 | 10 | 87548 | 87518 | 87648 | 87618 |
| | 15 | 87549 | 87519 | 87649 | 87619 |
| | 30 | 87550 | 87520 | 87650 | 87620 |
| 1600 | 10 | 87551 | 87521 | 87651 | 87621 |
| | 15 | 87552 | 87522 | 87652 | 87622 |
| | 30 | 87553 | 87523 | 87653 | 87623 |
| 1800 | 10 | 87554 | 87524 | 87654 | 87624 |
| | 15 | 87555 | 87525 | 87655 | 87625 |
| | 30 | 87556 | 87526 | 87656 | 87626 |
| 2000 | 10 | 87557 | 87527 | 87657 | 87627 |
| | 15 | 87558 | 87528 | 87658 | 87628 |
| | 30 | 87559 | 87529 | 87659 | 87629 |
| 2500 | 10 | 87561 | 87531 | 87661 | 87631 |
| | 15 | 87562 | 87532 | 87662 | 87632 |
| | 30 | 87563 | 87533 | 87663 | 87633 |

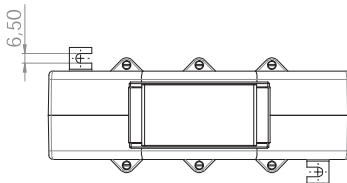
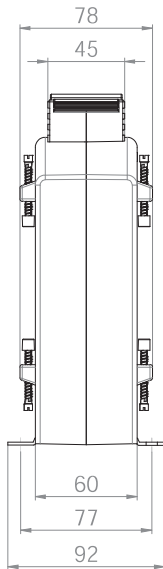
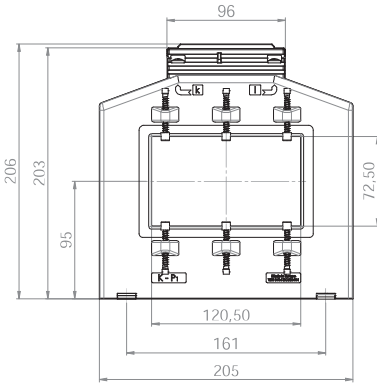
| | | Art.-no. |
|--|-------------------------------|--------------|
| | Snap-on mounting | - |
| | Sealed shutter, type C | 59042 |

ASK 127.6

Plug-in current transformer



Bus bar 1 120 x 70 mm
 Round conductor 70 mm
 Transformer width 205 mm
 Height 203 mm
 Depth 78 mm



| Primary current [A] | Burden [VA] | Secondary current [A] / Class | | | |
|---------------------|-------------|-------------------------------|----------------------------|--------------------------|----------------------------|
| | | 5 A Cl. 1 Art.-no. | 5 A Cl. 0,5 Art.-no. | 1 A Cl. 1 Art.-no. | 1 A Cl. 0,5 Art.-no. |
| 1000 | 5 | 87055 | 87011 | 87255 | 87211 |
| | 10 | 87056 | | 87256 | |
| 1200 | 5 | 87057 | 87013 | 87257 | 87213 |
| | 10 | 87058 | 87014 | 87258 | 87214 |
| | 15 | 87059 | | 87259 | |
| 1250 | 5 | 87060 | 87016 | 87260 | 87216 |
| | 10 | 87061 | 87017 | 87261 | 87217 |
| | 15 | 87062 | 87018 | 87262 | 87218 |
| | 30 | 87063 | 87019 | 87263 | 87219 |
| 1500 | 5 | 87064 | 87020 | 87264 | 87220 |
| | 10 | 87065 | 87021 | 87265 | 87221 |
| | 15 | 87066 | 87022 | 87266 | 87222 |
| 1800 | 30 | 87067 | 87023 | 87267 | 87223 |
| | 5 | 87068 | 87024 | 87268 | 87224 |
| | 10 | 87069 | 87025 | 87269 | 87225 |
| 2000 | 15 | 87070 | 87026 | 87270 | 87226 |
| | 30 | 87071 | 87027 | 87271 | 87227 |
| | 10 | 87072 | 87028 | 87272 | 87228 |
| 2500 | 15 | 87073 | 87029 | 87273 | 87229 |
| | 30 | 87074 | 87030 | 87274 | 87230 |
| | 10 | 87076 | 87032 | 87276 | 87232 |
| 3000 | 15 | 87077 | 87033 | 87277 | 87233 |
| | 30 | 87078 | 87034 | 87278 | 87234 |
| | 45 | 87079 | | 87279 | |
| 4000 | 10 | 87081 | 87036 | 87281 | 87236 |
| | 15 | 87082 | 87037 | 87282 | 87237 |
| | 30 | 87083 | 87038 | 87283 | 87238 |
| 5000 | 45 | 87084 | | 87284 | |
| | 10 | 87085 | 87040 | 87285 | 87240 |
| | 15 | 87086 | 87041 | 87286 | 87241 |
| 6000 | 30 | 87087 | 87042 | 87287 | 87242 |
| | 45 | 87088 | | 87288 | |
| | 10 | 87089 | 87044 | 87289 | 87244 |
| 6000 | 15 | 87090 | 87045 | 87290 | 87245 |
| | 30 | 87091 | 87046 | 87291 | 87246 |
| | 45 | 87092 | | 87292 | |
| 6000 | 10 | 87093 | 87048 | 87293 | 87248 |
| | 15 | 87094 | 87049 | 87294 | 87249 |
| | 30 | 87095 | 87050 | 87295 | 87250 |
| | 45 | 87096 | | 87296 | |

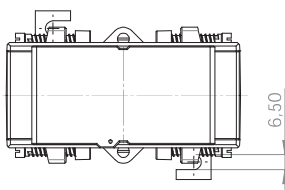
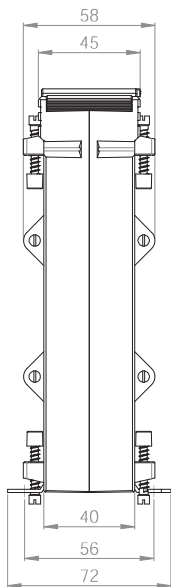
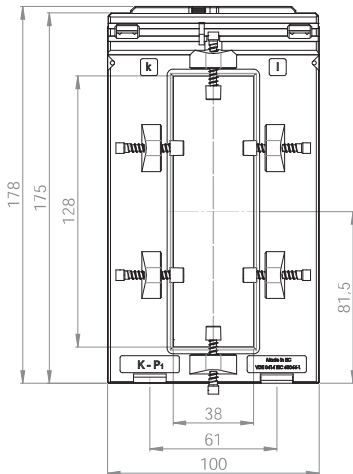
| | | Art.-no. |
|--|-------------------------------|--------------|
| | Snap-on mounting | - |
| | Sealed shutter, type C | 59042 |

ASK 128.4

Plug-in current transformer



Bus bar 1 128 x 38 mm
 Round conductor 38 mm
 Transformer width 100 mm
 Height 175 mm
 Depth 58 mm



| Primary current [A] | Burden [VA] | Secondary current [A] / Class | | | |
|---------------------|-------------|-------------------------------|----------------------------|--------------------------|----------------------------|
| | | 5 A Cl. 1 Art.-no. | 5 A Cl. 0,5 Art.-no. | 1 A Cl. 1 Art.-no. | 1 A Cl. 0,5 Art.-no. |
| 400 | 2,5 | 94041 | 94011 | 94241 | 94211 |
| | 5 | 94042 | | 94242 | |
| 500 | 2,5 | 94043 | 94013 | 94243 | 94213 |
| | 5 | 94044 | | 94244 | |
| 600 | 2,5 | 94045 | 94015 | 94245 | 94215 |
| | 5 | 94046 | | 94246 | |
| 750 | 2,5 | 94047 | 94017 | 94247 | 94217 |
| | 5 | 94048 | | 94248 | |
| 800 | 5 | 94049 | 94019 | 94249 | 94219 |
| | 10 | 94050 | | 94250 | |
| 1000 | 10 | 94051 | 94021 | 94251 | 94221 |
| | 15 | 94052 | | 94252 | |
| 1200 | 10 | 94053 | 94023 | 94253 | 94223 |
| | 15 | 94054 | | 94254 | |
| 1250 | 10 | 94055 | 94025 | 94255 | 94225 |
| | 15 | 94056 | | 94256 | |
| 1500 | 15 | 94057 | 94027 | 94257 | 94227 |
| | 30 | 94058 | | 94258 | |
| 2000 | 15 | 94059 | 94029 | 94259 | 94229 |
| | 30 | 94060 | | 94260 | |
| 2500 | 15 | 94061 | 94031 | 94261 | 94231 |
| | 30 | 94062 | | 94262 | |

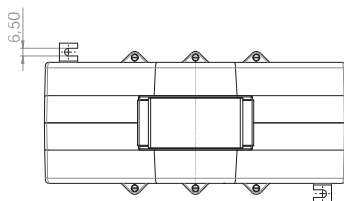
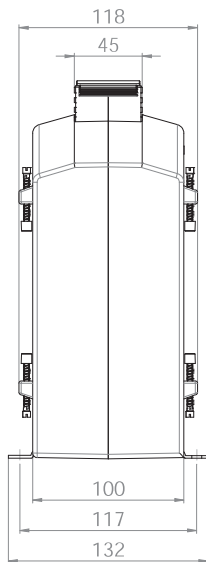
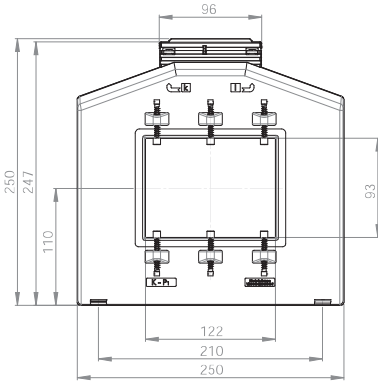
| | | Art.-no. |
|--|-------------------------------|--------------|
| | Snap-on mounting | - |
| | Sealed shutter, type C | 59042 |

ASK 129.10

Plug-in current transformer



Bus bar 1 120 x 90 mm
 Round conductor 90 mm
 Transformer width 250 mm
 Height 247 mm
 Depth 118 mm



| Primary current [A] | Burden [VA] | Secondary current [A] / Class | | | |
|---------------------|-------------|-------------------------------|----------------------------|--------------------------|----------------------------|
| | | 5 A Cl. 1 Art.-no. | 5 A Cl. 0,5 Art.-no. | 1 A Cl. 1 Art.-no. | 1 A Cl. 0,5 Art.-no. |
| 1000 | 5 | 88070 | 88011 | 88270 | 88211 |
| | 10 | 88071 | 88012 | 88271 | 88212 |
| | 15 | 88072 | 88013 | 88272 | 88213 |
| 1200 | 5 | 88073 | 88014 | 88273 | 88214 |
| | 10 | 88074 | 88015 | 88274 | 88215 |
| | 15 | 88075 | | 88275 | |
| 1250 | 5 | 88076 | 88017 | 88276 | 88217 |
| | 10 | 88077 | 88018 | 88277 | 88218 |
| | 15 | 88078 | | 88278 | |
| 1500 | 10 | 88079 | 88020 | 88279 | 88220 |
| | 15 | 88080 | 88021 | 88280 | 88221 |
| | 30 | 88081 | 88022 | 88281 | 88222 |
| 1600 | 10 | 88082 | 88023 | 88282 | 88223 |
| | 15 | 88083 | 88024 | 88283 | 88224 |
| | 30 | 88084 | 88025 | 88284 | 88225 |
| 1800 | 10 | 88085 | 88026 | 88285 | 88226 |
| | 15 | 88086 | 88027 | 88286 | 88227 |
| | 30 | 88087 | 88028 | 88287 | 88228 |
| 2000 | 10 | 88088 | 88029 | 88288 | 88229 |
| | 15 | 88089 | 88030 | 88289 | 88230 |
| | 30 | 88090 | 88031 | 88290 | 88231 |
| 2500 | 15 | 88091 | 88032 | 88291 | 88232 |
| | 30 | 88092 | 88033 | 88292 | 88233 |
| | 45 | 88093 | | 88293 | |
| 3000 | 15 | 88094 | 88035 | 88294 | 88235 |
| | 30 | 88095 | 88036 | 88295 | 88236 |
| | 45 | 88096 | | 88296 | |
| 4000 | 15 | 88097 | 88038 | 88297 | 88238 |
| | 30 | 88098 | 88039 | 88298 | 88239 |
| | 45 | 88099 | 88040 | 88299 | 88240 |
| 5000 | 15 | 88100 | 88041 | 88300 | 88241 |
| | 30 | 88101 | 88042 | 88301 | 88242 |
| | 45 | 88102 | 88043 | 88302 | 88243 |
| 6000 | 15 | 88103 | 88044 | 88303 | 88244 |
| | 30 | 88104 | 88045 | 88304 | 88245 |
| | 45 | 88105 | 88046 | 88305 | 88246 |
| 7500 | 15 | 88106 | 88047 | 88306 | 88247 |
| | 30 | 88107 | 88048 | 88307 | 88248 |
| | 45 | 88108 | 88049 | 88308 | 88249 |

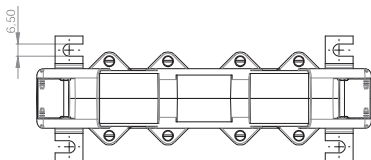
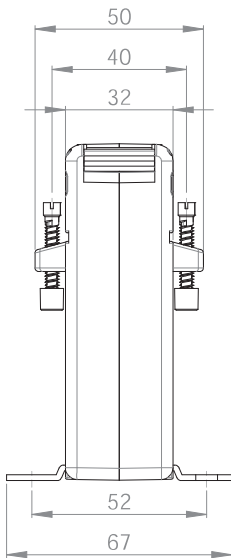
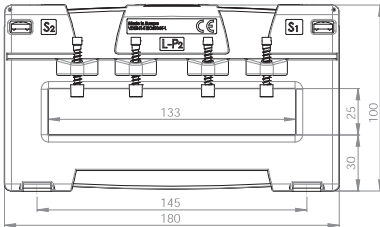
| | | Art.-no. |
|--|-------------------------------|--------------|
| | Snap-on mounting | - |
| | Sealed shutter, type C | 59042 |

ASK 130.3

Plug-in current transformer



Bus bar 1 130 x 25 mm
 Round conductor 25 mm
 Transformer width 180 mm
 Height 100 mm
 Depth 50 mm



| Primary current [A] | Burden [VA] | Secondary current [A] / Class | | | | |
|---------------------|-------------|-------------------------------|----------------------|-----------------------|--------------------|----------------------|
| | | 5 A Cl. 1 Art.-no. | 5 A Cl. 0,5 Art.-no. | 5 A Cl. 0,2s Art.-no. | 1 A Cl. 1 Art.-no. | 1 A Cl. 0,5 Art.-no. |
| 300 | 2,5 | I50-1900D | I50-1901D | | I50-1910D | I50-1911D |
| | 5 | I50-1900F | I50-1901F | | I50-1910F | I50-1911F |
| 400 | 2,5 | I50-2000D | I50-2001D | | I50-2010D | I50-2011D |
| | 5 | I50-2000F | I50-2001F | | I50-2010F | I50-2011F |
| | 10 | I50-2000H | | | I50-2010H | |
| 500 | 2,5 | I50-2100D | I50-2101D | | I50-2110D | I50-2111D |
| | 5 | I50-2100F | I50-2101F | | I50-2110F | I50-2111F |
| | 10 | I50-2100H | I50-2101H | | I50-2110H | I50-2111H |
| 600 | 2,5 | I50-2200D | I50-2201D | | I50-2210D | I50-2211D |
| | 5 | I50-2200F | I50-2201F | | I50-2210F | I50-2211F |
| | 10 | I50-2200H | I50-2201H | | I50-2210H | I50-2211H |
| | 15 | I50-2200J | | | I50-2210J | |
| 750 | 2,5 | I50-2300D | I50-2301D | V50-2304D | I50-2310D | I50-2311D |
| | 5 | I50-2300F | I50-2301F | | I50-2310F | I50-2311F |
| | 10 | I50-2300H | I50-2301H | | I50-2310H | I50-2311H |
| | 15 | I50-2300J | I50-2301J | | I50-2310J | I50-2311J |
| 1000 | 5 | I50-2500F | I50-2501F | V50-2504F | I50-2510F | I50-2511F |
| | 10 | I50-2500H | I50-2501H | V50-2504H | I50-2510H | I50-2511H |
| | 15 | I50-2500J | I50-2501J | | I50-2510J | I50-2511J |
| | 30 | I50-2500L | | | I50-2510L | |
| 1200 | 5 | I50-2600F | I50-2601F | V50-2604F | I50-2610F | I50-2611F |
| | 10 | I50-2600H | I50-2601H | V50-2604H | I50-2610H | I50-2611H |
| | 15 | I50-2600J | I50-2601J | | I50-2610J | I50-2611J |
| | 30 | I50-2600L | | | I50-2610L | |
| 1250 | 5 | I50-2700F | I50-2701F | V50-2704F | I50-2710F | I50-2711F |
| | 10 | I50-2700H | I50-2701H | V50-2704H | I50-2710H | I50-2711H |
| | 15 | I50-2700J | I50-2701J | V50-2704J | I50-2710J | I50-2711J |
| | 30 | I50-2700L | | | I50-2710L | |
| 1500 | 5 | I50-2800F | I50-2801F | V50-2804F | I50-2810F | I50-2811F |
| | 10 | I50-2800H | I50-2801H | V50-2804H | I50-2810H | I50-2811H |
| | 15 | I50-2800J | I50-2801J | V50-2804J | I50-2810J | I50-2811J |
| | 30 | I50-2800L | I50-2801L | | I50-2810L | I50-2811L |
| 1600 | 5 | I50-2900F | I50-2901F | V50-2904F | I50-2910F | I50-2911F |
| | 10 | I50-2900H | I50-2901H | V50-2904H | I50-2910H | I50-2911H |
| | 15 | I50-2900J | I50-2901J | V50-2904J | I50-2910J | I50-2911J |
| | 30 | I50-2900L | I50-2901L | | I50-2910L | I50-2911L |

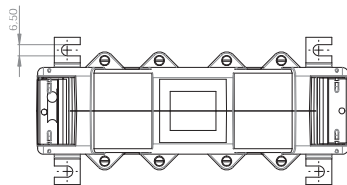
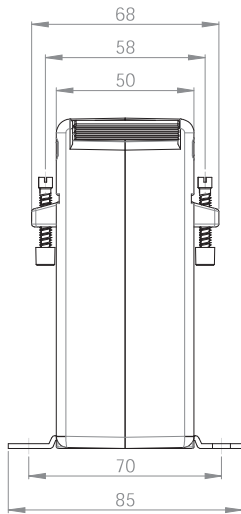
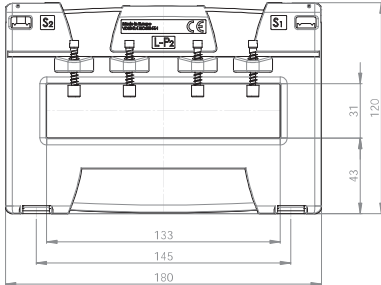
| | | Art.-no. |
|--|-------------------------|----------|
| | Snap-on mounting | - |
| | Sealed shutter | - |

ASK 130.5

Plug-in current transformer



Bus bar 1 130 x 30 mm
 Round conductor 30 mm
 Transformer width 180 mm
 Height 120 mm
 Depth 68 mm



| Primary current [A] | Burden [VA] | Secondary current [A] / Class | | | | |
|---------------------|-------------|-------------------------------|----------------------|-----------------------|--------------------|----------------------|
| | | 5 A Cl. 1 Art.-no. | 5 A Cl. 0,5 Art.-no. | 5 A Cl. 0,2s Art.-no. | 1 A Cl. 1 Art.-no. | 1 A Cl. 0,5 Art.-no. |
| 300 | 2,5 | I51-1900D | I51-1901D | | I51-1910D | I51-1911D |
| | 5 | I51-1900F | I51-1901F | | I51-1910F | I51-1911F |
| | 10 | I51-1900H | I51-1901H | | I51-1910H | I51-1911H |
| 400 | 2,5 | I51-2000D | I51-2001D | | I51-2010D | I51-2011D |
| | 5 | I51-2000F | I51-2001F | | I51-2010F | I51-2011F |
| | 10 | I51-2000H | I51-2001H | | I51-2010H | I51-2011H |
| 500 | 2,5 | I51-2100D | I51-2101D | | I51-2110D | I51-2111D |
| | 5 | I51-2100F | I51-2101F | | I51-2110F | I51-2111F |
| | 10 | I51-2100H | I51-2101H | | I51-2110H | I51-2111H |
| 600 | 15 | I51-2100J | I51-2101J | | I51-2110J | I51-2111J |
| | 5 | I51-2200F | I51-2201F | | I51-2210F | I51-2211F |
| | 10 | I51-2200H | I51-2201H | | I51-2210H | I51-2211H |
| 750 | 15 | I51-2200J | I51-2201J | | I51-2210J | I51-2211J |
| | 5 | I51-2300F | I51-2301F | V51-2304F | I51-2310F | I51-2311F |
| | 10 | I51-2300H | I51-2301H | | I51-2310H | I51-2311H |
| 1000 | 15 | I51-2300J | I51-2301J | | I51-2310J | I51-2311J |
| | 5 | I51-2500F | I51-2501F | V51-2504F | I51-2510F | I51-2511F |
| | 10 | I51-2500H | I51-2501H | V51-2504H | I51-2510H | I51-2511H |
| 1200 | 15 | I51-2500J | I51-2501J | | I51-2510J | I51-2511J |
| | 30 | I51-2500L | I51-2501L | | I51-2510L | I51-2511L |
| | 5 | I51-2600F | I51-2601F | V51-2604F | I51-2610F | I51-2611F |
| 1250 | 10 | I51-2600H | I51-2601H | V51-2604H | I51-2610H | I51-2611H |
| | 15 | I51-2600J | I51-2601J | V51-2604J | I51-2610J | I51-2611J |
| | 30 | I51-2600L | I51-2601L | | I51-2610L | I51-2611L |
| 1500 | 5 | I51-2700F | I51-2701F | V51-2704F | I51-2710F | I51-2711F |
| | 10 | I51-2700H | I51-2701H | V51-2704H | I51-2710H | I51-2711H |
| | 15 | I51-2700J | I51-2701J | V51-2704J | I51-2710J | I51-2711J |
| 1600 | 30 | I51-2700L | I51-2701L | | I51-2710L | I51-2711L |
| | 5 | I51-2800F | I51-2801F | V51-2804F | I51-2810F | I51-2811F |
| | 10 | I51-2800H | I51-2801H | V51-2804H | I51-2810H | I51-2811H |
| 2000 | 15 | I51-2800J | I51-2801J | V51-2804J | I51-2810J | I51-2811J |
| | 30 | I51-2800L | I51-2801L | | I51-2810L | I51-2811L |
| | 5 | I51-2900F | I51-2901F | V51-2904F | I51-2910F | I51-2911F |
| 2400 | 10 | I51-2900H | I51-2901H | V51-2904H | I51-2910H | I51-2911H |
| | 15 | I51-2900J | I51-2901J | V51-2904J | I51-2910J | I51-2911J |
| | 30 | I51-2900L | I51-2901L | | I51-2910L | I51-2911L |
| 2500 | 10 | I51-3000H | I51-3001H | V51-3004H | I51-3010H | I51-3011H |
| | 15 | I51-3000J | I51-3001J | V51-3004J | I51-3010J | I51-3011J |
| | 30 | I51-3000L | I51-3001L | | I51-3010L | I51-3011L |
| 3000 | 10 | I51-3100H | I51-3101H | V51-3104H | I51-3110H | I51-3111H |
| | 15 | I51-3100J | I51-3101J | V51-3104J | I51-3110J | I51-3111J |
| | 30 | I51-3100L | I51-3101L | | I51-3110L | I51-3111L |
| 3200 | 10 | I51-3200H | I51-3201H | V51-3204H | I51-3210H | I51-3211H |
| | 15 | I51-3200J | I51-3201J | V51-3204J | I51-3210J | I51-3211J |
| | 30 | I51-3200L | I51-3201L | V51-3204L | I51-3210L | I51-3211L |
| 3200 | 10 | I51-3300H | I51-3301H | V51-3304H | I51-3310H | I51-3311H |
| | 15 | I51-3300J | I51-3301J | V51-3304J | I51-3310J | I51-3311J |
| | 30 | I51-3300L | I51-3301L | V51-3304L | I51-3310L | I51-3311L |
| 3200 | 10 | I51-3400H | I51-3401H | V51-3404H | I51-3410H | I51-3411H |
| | 15 | I51-3400J | I51-3401J | V51-3404J | I51-3410J | I51-3411J |
| | 30 | I51-3400L | I51-3401L | V51-3404L | I51-3410L | I51-3411L |

| | | Art.-no. |
|--|------------------|----------|
| | Snap-on mounting | - |
| | Sealed shutter | - |

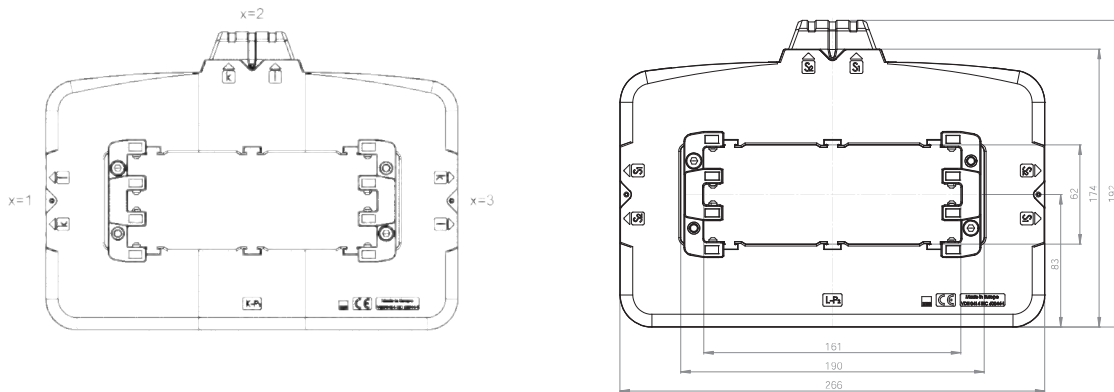
ASK 165.5

Plug-in current transformer



The secondary terminals of the current transformer type ASK 165.5 can be realized in 3 different positions. Please be so kind and choose with your order.
The damping claw can be also delivered if needed. Please also state in your order.

Connection options



Order example

ASK 165.5 1500/5A 10VA Cl.1
Connection option „top“
Art.-no. 1650006027-2

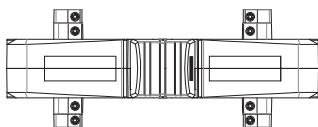
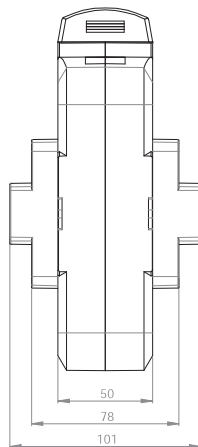
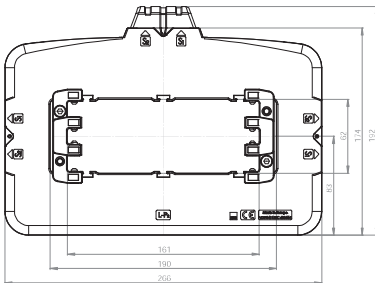
ASK 165.5

Plug-in current transformer




Selectable positions of the secondary terminals allow flexible positions of installation.

Bus bar 1 190 x 60 mm
 Bus bar 2 3 x 160 x 10 mm
 Transformer width 266 mm
 Height 192 mm
 Depth 100 mm



| Primary current [A] | Burden [VA] | Secondary current [A] / Class | | |
|---------------------|-------------|-------------------------------|----------------------------|----------------------------|
| | | 1 A Cl. 1 Art.-no. | 1 A Cl. 0,5 Art.-no. | 1 A Cl. 0,2 Art.-no. |
| 1000 | 5 | 1650206021-x | 1650205001-x | 1650203001-x |
| | 10 | 1650206022-x | 1650205002-x | |
| | 15 | 1650206001-x | | |
| 1200 | 5 | 1650206023-x | 1650205004-x | 1650203003-x |
| | 10 | 1650206024-x | 1650205005-x | 1650203004-x |
| | 15 | 1650206002-x | 1650205024-x | |
| 1250 | 5 | 1650206025-x | 1650205025-x | 1650203005-x |
| | 10 | 1650206026-x | 1650205006-x | 1650203006-x |
| | 15 | 1650206003-x | 1650205026-x | |
| 1500 | 10 | 1650206027-x | 1650205007-x | 1650203007-x |
| | 15 | 1650206028-x | 1650205008-x | |
| | 30 | 1650206004-x | 1650205027-x | |
| 1600 | 10 | 1650206029-x | 1650205009-x | 1650203008-x |
| | 15 | 1650206030-x | 1650205010-x | |
| | 30 | 1650206005-x | 1650205028-x | |
| 2000 | 10 | 1650206031-x | 1650205011-x | 1650203009-x |
| | 15 | 1650206032-x | 1650205012-x | 1650203020-x |
| | 30 | 1650206006-x | 1650205013-x | |
| | 45 | 1650206007-x | | |
| 2500 | 15 | 1650206033-x | 1650205029-x | 1650203010-x |
| | 30 | 1650206034-x | 1650205014-x | |
| | 60 | 1650206008-x | | |
| 3000 | 15 | 1650206035-x | 1650205030-x | 1650203011-x |
| | 30 | 1650206036-x | 1650205015-x | 1650203012-x |
| | 60 | 1650206009-x | | |
| 4000 | 30 | 1650206037-x | 1650205017-x | 1650203014-x |
| | 40 | 1650206038-x | | |
| | 60 | 1650206011-x | | |

| | Art.-no. |
|---|--------------|
|  | 59090 |

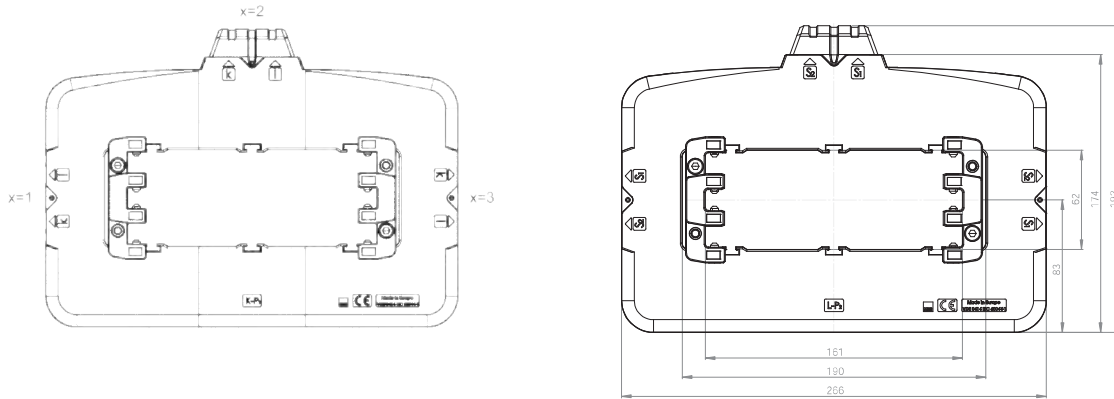
ASK 165.5

Plug-in current transformer



The secondary terminals of the current transformer type ASK 165.5 can be realized in 3 different positions. Please be so kind and choose with your order.
The clamping claw can be also delivered if needed. Please also state in your order.

Connection options



Order example

ASK 165.5 1500/5A 10VA Cl.1
Connection option „top“
Art.-no. 1650006027-2

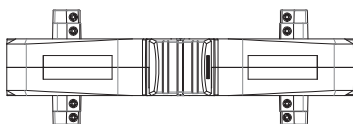
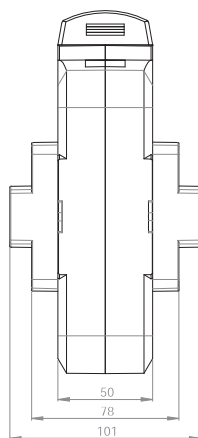
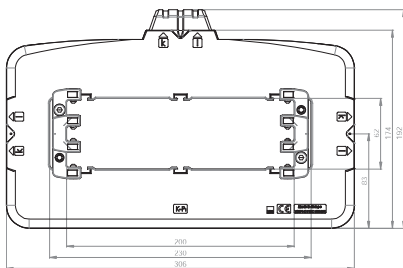
ASK 205.5

Plug-in current transformer



Selectable positions of the secondary terminals allow flexible positions of installation.

Bus bar 1 230 x 60 mm
 Bus bar 2 3 x 200 x 10 mm
 Transformer width 306 mm
 Height 192 mm
 Depth 100 mm



| Primary current [A] | Burden [VA] | Secondary current [A] / Class | | |
|---------------------|-------------|-------------------------------|----------------------------|----------------------------|
| | | 5 A Cl. 1 Art.-no. | 5 A Cl. 0,5 Art.-no. | 5 A Cl. 0,2 Art.-no. |
| 1200 | 5 | 2050006023-x | 2050005023-x | 2050003001-x |
| | 10 | 2050006024-x | 2050005001-x | |
| | 15 | 2050006001-x | 2050005024-x | |
| 1250 | 5 | 2050006025-x | 2050005025-x | 2050003003-x |
| | 10 | 2050006026-x | 2050005002-x | 2050003004-x |
| | 15 | 2050006002-x | 2050005026-x | |
| 1500 | 5 | 2050006027-x | 2050005027-x | 2050003005-x |
| | 10 | 2050006028-x | 2050005003-x | 2050003006-x |
| | 15 | 2050006003-x | 2050005004-x | 2050003007-x |
| | 30 | 2050006004-x | | |
| 1600 | 5 | 2050006029-x | 2050005028-x | 2050003008-x |
| | 10 | 2050006030-x | 2050005029-x | 2050003009-x |
| | 15 | 2050006005-x | 2050005005-x | 2050003010-x |
| | 30 | 2050006006-x | | |
| 2000 | 10 | 2050006031-x | 2050005030-x | 2050003011-x |
| | 15 | 2050006032-x | 2050005006-x | 2050003012-x |
| | 30 | 2050006007-x | 2050005007-x | |
| 2500 | 10 | 2050006033-x | 2050005031-x | 2050003013-x |
| | 15 | 2050006034-x | 2050005008-x | 2050003014-x |
| | 30 | 2050006035-x | 2050005009-x | |
| 3000 | 10 | 2050006036-x | 2050005032-x | 2050003015-x |
| | 15 | 2050006037-x | 2050005010-x | 2050003016-x |
| | 30 | 2050006038-x | 2050005011-x | 2050003017-x |
| | 45 | 2050006009-x | | |
| 4000 | 15 | 2050006039-x | 2050005033-x | 2050003019-x |
| | 30 | 2050006010-x | 2050005012-x | 2050003020-x |
| | 60 | 2050006011-x | | |
| 5000 | 15 | 2050006040-x | 2050005034-x | 2050003021-x |
| | 30 | 2050006013-x | 2050005014-x | 2050003022-x |
| | 60 | 2050006014-x | | |

| | Art.-no. |
|---|--------------|
|  | 59090 |

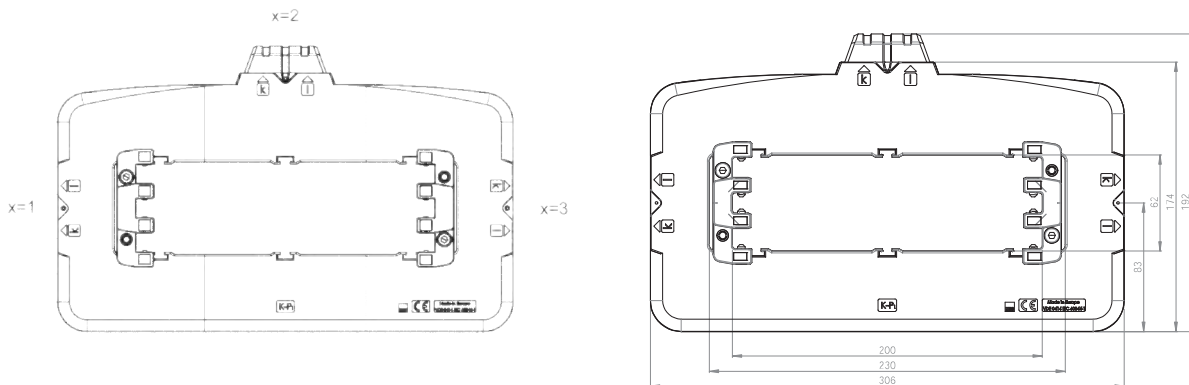
ASK 205.5

Plug-in current transformer



The secondary terminals of the current transformer type ASK 205.5 can be realized in 3 different positions. Please be so kind and choose with your order.
The clamping claw can be also delivered if needed. Please also state in your order.

Connection options



Order example

ASK 205.5 1500/5A 10VA Cl.1
Connection option „top“
Art.-no. 2050006028-2

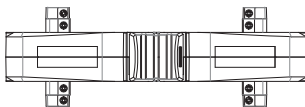
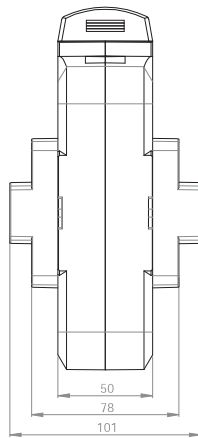
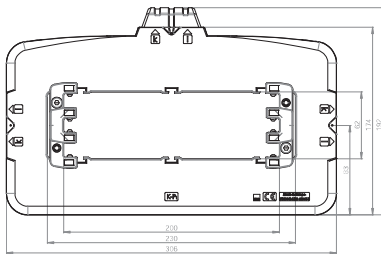
ASK 205.5

Plug-in current transformer




Selectable positions of the secondary terminals allow flexible positions of installation.

Bus bar 1 230 x 60 mm
 Bus bar 2 3 x 200 x 10 mm
 Transformer width 306 mm
 Height 192 mm
 Depth 100 mm



| Primary current [A] | Burden [VA] | Secondary current [A] / Class | | |
|---------------------|-------------|-------------------------------|----------------------------|----------------------------|
| | | 1 A Cl. 1 Art.-no. | 1 A Cl. 0,5 Art.-no. | 1 A Cl. 0,2 Art.-no. |
| 1200 | 5 | 2050206023-x | 2050205023-x | 2050203001-x |
| | 10 | 2050206024-x | 2050205001-x | |
| | 15 | 2050206001-x | 2050205024-x | |
| 1250 | 5 | 2050206025-x | 2050205025-x | 2050203003-x |
| | 10 | 2050206026-x | 2050205002-x | 2050203004-x |
| | 15 | 2050206002-x | 2050205026-x | |
| 1500 | 5 | 2050206027-x | 2050205027-x | 2050203005-x |
| | 10 | 2050206028-x | 2050205503-x | 2050203006-x |
| | 15 | 2050206003-x | 2050205004-x | 2050203007-x |
| | 30 | 2050206004-x | | |
| 1600 | 10 | 2050206029-x | 2050205028-x | 2050203009-x |
| | 15 | 2050206005-x | 2050205005-x | 2050203010-x |
| | 30 | 2050206006-x | | |
| 2000 | 10 | 2050206030-x | 2050205029-x | 2050203011-x |
| | 15 | 2050206031-x | 2050205006-x | 2050203012-x |
| | 30 | 2050206007-x | 2050205007-x | |
| 2500 | 10 | 2050206032-x | 2050205030-x | 2050203013-x |
| | 15 | 2050206033-x | 2050205508-x | 2050203014-x |
| | 30 | 2050206034-x | 2050205009-x | |
| 3000 | 10 | 2050206035-x | 2050205031-x | 2050203015-x |
| | 15 | 2050206036-x | 2050205010-x | 2050203016-x |
| | 30 | 2050206037-x | 2050205011-x | 2050203017-x |
| | 45 | 2050206009-x | | |
| 4000 | 15 | 2050206038-x | 2050205032-x | 2050203019-x |
| | 30 | 2050206010-x | 2050205012-x | 2050203020-x |
| | 60 | 2050206011-x | | |
| 5000 | 15 | 2050206039-x | 2050205033-x | 2050203021-x |
| | 30 | 2050206013-x | 2050205014-x | 2050203022-x |
| | 60 | 2050206014-x | | |

| | Art.-no. |
|---|--------------|
|  | 59090 |

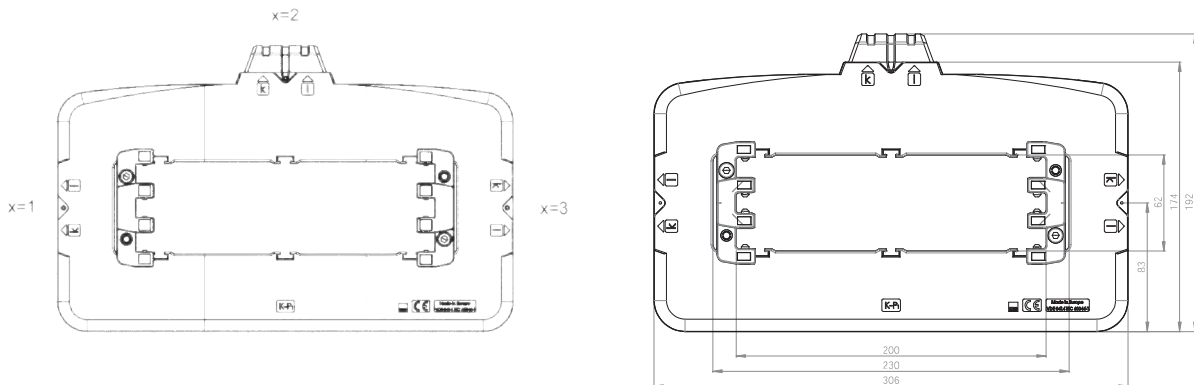
ASK 205.5

Plug-in current transformer



The secondary terminals of the current transformer type ASK 205.5 can be realized in 3 different positions. Please be so kind and choose with your order.
The clamping claw can be also delivered if needed. Please also state in your order.

Connection options



Order example

ASK 205.5 1500/5A 10VA Cl.1
Connection option „top“
Art.-no. 2050006028-2